

Tel:+86-574-63319373/63319363

Add:No.718 Huancheng West Road, Zhouxiang Town,
Ningbo, Zhejiang, China

Mob:+86-18358258255

P.C.315324

E-mail:commercial@cnbracket.com

Http://www.cnbracket.com



Cixi Boruida
Refrigeration Equipment Co., Ltd.

WORTH CHOOSING

BORUIDA

Durable and safe to



PRODUCTS CATALOGUE

Cixi Boruida Refrigeration Equipment Co., Ltd.

www.cnbracket.com

CONTENTS

- 01 Company Profile
- 03 Plant Equipent
- 04 Quality System

ABOUT BO RUI DA

THE INTRODUCTION
OF OUR COMPANY



- 05 Wall bracket
- 25 Floor bracket
- 35 Roof & ceiling bracket
- 39 A/C outdoor related
- 45 Big feet frame & rubber feet
- 51 Plastic products
- 54 Cabinet
- 55 Anti-vibration damper

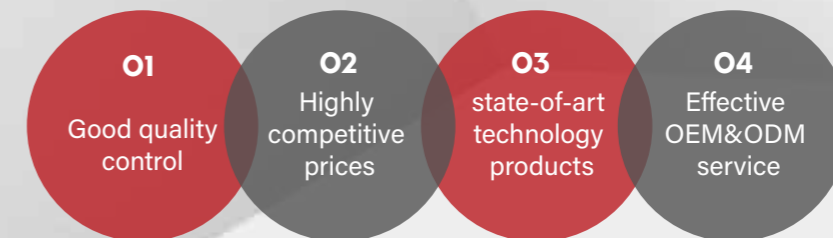


Cixi Boruida Refrigeration Equipment Co,Ltd (former Cixi Zhonggor Refrigeration Equipment Co. Ltd) established in 2000is a supplier of air conditioner bracket and rubber support.

We located in Cixi city closed to Port Ningbo and Port Shanghai.

We have exported more than 50countries like USA, Mexico,EU and Japan etc.

What we offer:



PLANT EQUIPMENT QUALITY SYSTEM



Our service aim is
Do our effort to meet
your requirement



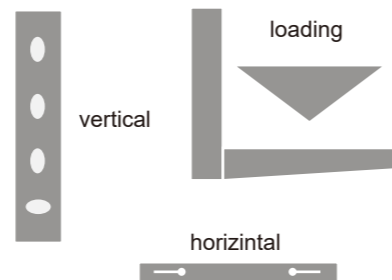
CNC
We have top-notch equipment





Clasp Bracket

- **Material**
galvanized steel
- **Surface treatment**
epoxy resin powder coating UV durable



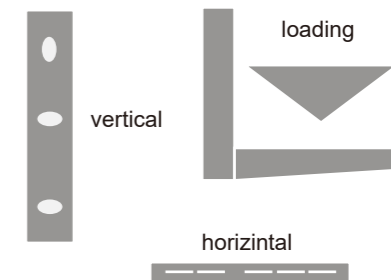
• Product parameters

Code ID	Horizontal strut (mm)	Vertical strut (mm)	Thickness (mm)	N.W. (kg)	G.W. (kg)	Loading (kg)	Individual box (mm)	Outer carton (mm)
W032C	380	400	1.5	2.6	3	80	480*75*60	495*230*122
W033C	480	420	1.5	3	3.4	80	580*75*60	595*230*122
W034C	600	420	2	4.6	5	150	700*75*60	715*230*122



Rivets Connected Bracket

- **Material**
galvanized steel
- **Surface treatment**
epoxy resin powder coating UV durable



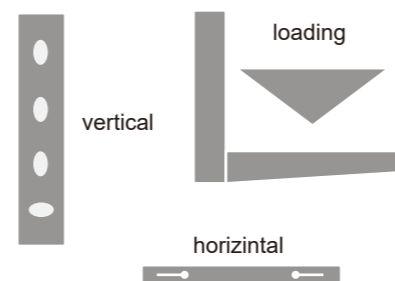
• Product parameters

Code ID	Horizontal strut (mm)	Vertical strut (mm)	Thickness (mm)	N.W. (kg)	G.W. (kg)	Loading (kg)	Individual box (mm)	Outer carton (mm)
F017C	450	400	1.5	2.4	2.7	100	480*75*60	495*230*122
F019C	550	400	1.8	3	3.4	150	558*75*60	595*230*122
F020C	650	450	2	4.2	4.5	150	680*75*60	695*230*132



Welding Bracket

- **Material**
galvanized steel
- **Surface treatment**
epoxy resin powder coating UV durable



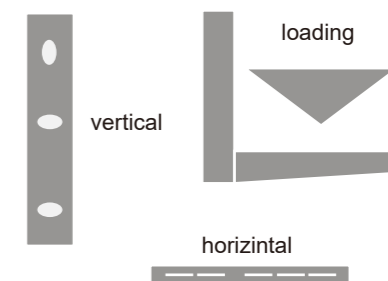
• Product parameters

Code ID	Horizontal strut (mm)	Vertical strut (mm)	Thickness (mm)	N.W. (kg)	G.W. (kg)	Loading (kg)	Quantity per pallet	Pallet dimension
XN400	400	400	1.2	1.8	2	200	580	1.1*1.1*2.1
XN500	500	400	1.5	2.1	2.3	200	480	1.1*1.1*2.1
XN550	550	500	1.5	2.8	3	200	400	1.1*1.1*2.1



Screw Connected Bracket

- **Material**
galvanized steel
- **Surface treatment**
epoxy resin powder coating UV durable



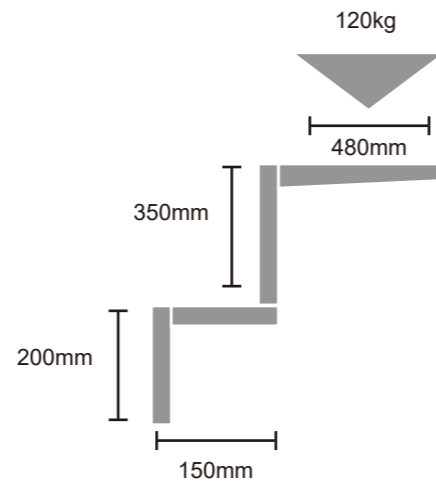
• Product parameters

Code ID	Horizontal strut (mm)	Vertical strut (mm)	Thickness (mm)	N.W. (kg)	G.W. (kg)	Loading (kg)	Individual box (mm)	Outer carton (mm)
Z001M	550	420	1.5	2.7	3	100	68*60*570	583*220*127
Z002M	550	420	1.8	3	3.3	150	68*60*570	583*220*127



Zigzag Bracket

- **Material**
galvanized steel
- **Surface treatment**
epoxy resin powder coating UV durable



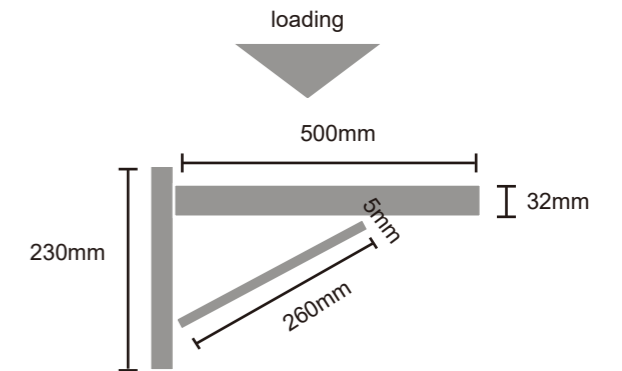
• Product parameters

Code ID	Dimension	Thickness (mm)	N.W. (kg)	G.W. (kg)	Loading (kg)	Individual box (mm)	Outer carton (mm)
ZZ480	480*350*200*150	1.5	3.7	3.86	120	515*250*60	525*260*372



Welding Bracket

- **Material**
cold roll steel
- **Surface treatment**
hot dipped galvanized



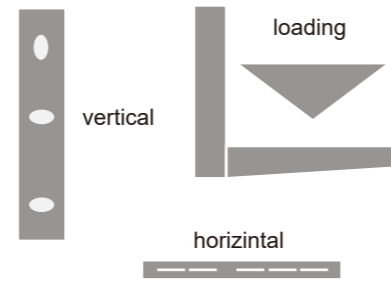
• Product parameters

Code ID	Horizontal strut (mm)	Vertical strut (mm)	Thickness (mm)	N.W. (kg)	G.W. (kg)	Loading (kg)	Individual box (mm)	Outer carton (mm)
J050C	500	230	2	2.4	2.6	150	530*240*58	540*250*375



Hot Dipped Galvanized Bracket

- **Material**
cold roll steel
- **Surface treatment**
hot dipped galvanized



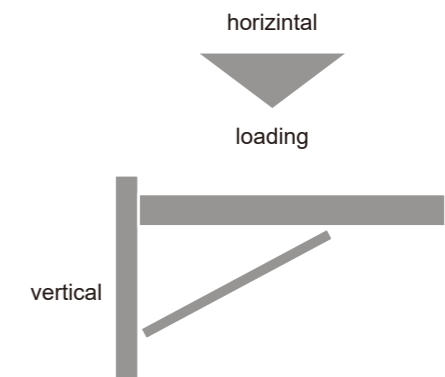
• Product parameters

Code ID	Horizontal strut (mm)	Vertical strut (mm)	Thickness (mm)	N.W. (kg)	G.W. (kg)	Loading (kg)	Quantity per carton	Carton dimension (mm)
N004E	420	312	2	2.7	3	200	6	600*490*110
N005E	520	320	2	3.1	3.4	200	6	700*510*110
N006E	620	400	2	3.8	4.1	200	6	730*700*115



Hot Dipped Galvanized Bracket

- **Material**
cold roll steel
- **Surface treatment**
hot dipped galvanized



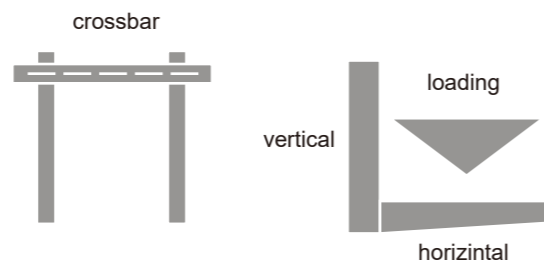
• Product parameters

Code ID	Horizontal strut (mm)	Vertical strut (mm)	Thickness (mm)	N.W. (kg)	G.W. (kg)	Loading (kg)	Individual box (mm)
HG500	500	280	2	4.43	4.8	250	515*324*46
HG650	650	280	2	5.14	5.3	250	665*330*46
HG800	800	280	2	5.8	6.13	250	815*330*46



Bolts Connecting Bracket

- **Material**
galvanized steel
- **Surface treatment**
epoxy resin powder coating UV durable



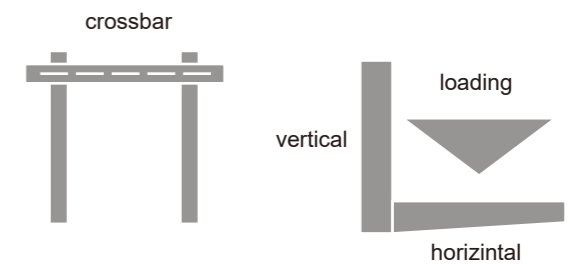
• Product parameters

Code ID	Horizontal strut (mm)	Vertical strut (mm)	Crossbar (mm)	Thickness (mm)	N.W. (kg)	G.W. (kg)	Loading (kg)	Individual box (mm)	Outer carton (mm)
S033C	400	380	800	1.5	3.7	4	100	820*115*70	835*245*152
S034C	450	380	800	1.5	4	4.3	100	820*115*70	835*245*152
S035C	550	380	800	2	5.5	5.8	150	820*115*70	835*245*152



Screws Connecting Bracket

- **Material**
galvanized steel
- **Surface treatment**
epoxy resin powder coating UV durable



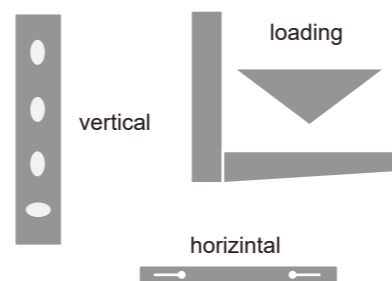
• Product parameters

Code ID	Horizontal strut (mm)	Vertical strut (mm)	Crossbar (mm)	Thickness (mm)	N.W. (kg)	G.W. (kg)	Loading (kg)	Individual box (mm)	Outer carton (mm)
H045C	450	350	800	1.8	3.2	3.5	150	805*75*60	815X235X130
H055C	550	420	800	1.8	3.7	4	150	805*75*60	815X235X130



Clasp Bracket

- **Material**
galvanized steel
- **Surface treatment**
epoxy resin powder coating UV durable



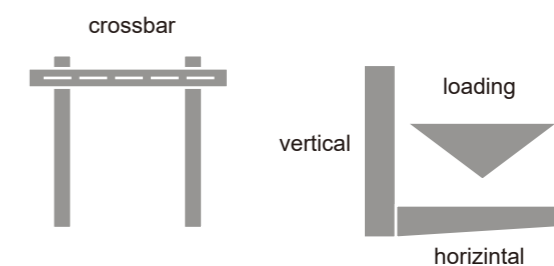
• Product parameters

Code ID	Horizontal strut (mm)	Vertical strut (mm)	Crossbar (mm)	Thickness (mm)	N.W. (kg)	G.W. (kg)	Loading (kg)	Individual box (mm)	Outer carton (mm)
A021C	380	400	750	1.5	3.4	3.8	100	760*85*70	770*270*152
A022C	480	420	750	1.5	3.9	4.3	100	760*85*70	770*270*152
A023C	600	420	1000	2	6.1	6.4	150	1020*85*70	1030*180*152



SUS Clasp Bracket

- **Material**
SUS 304



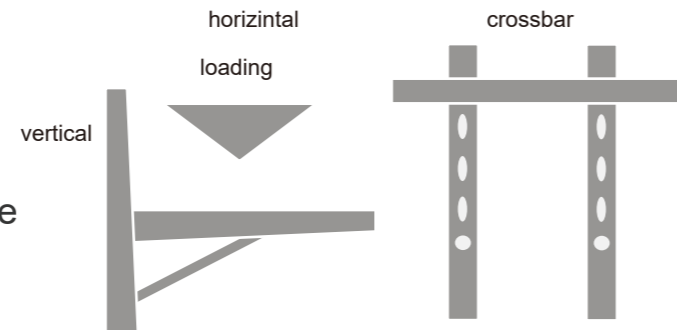
• Product parameters

Code ID	Horizontal strut (mm)	Vertical strut (mm)	Crossbar (mm)	Thickness (mm)	N.W. (kg)	G.W. (kg)	Loading (kg)	Individual box (mm)	Outer carton (mm)
A021C-S	380	400	750	1.5	3.4	3.8	100	760*85*70	770*270*152
A022C-S	480	420	750	1.5	3.9	4.3	100	760*85*70	770*270*152
A023C-S	600	420	1000	2	6.1	6.4	150	1020*85*70	1030*180*152



Heavy duty Clasp Bracket

- **Material**
galvanized steel
- **Surface treatment**
epoxy resin powder coating UV durable



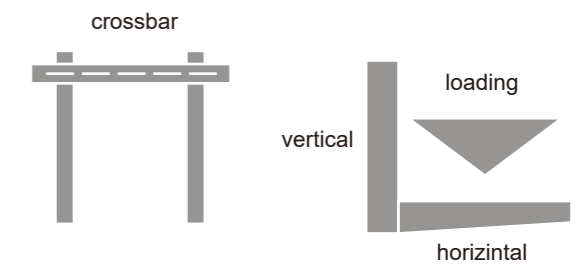
• Product parameters

Code ID	Horizontal strut (mm)	Vertical strut (mm)	Crossbar (mm)	Thickness (mm)	N.W. (kg)	G.W. (kg)	Loading (kg)	Individual box (mm)	Outer carton (mm)
A021D	530	600	900	2	6.7	7	200	915*67*87	926*144*186
A022D	650	600	900	2	7.2	7.5	200	915*67*87	926*144*186
A023D	1000	600	900	2	9.0	9.3	200	1005*120*65	1025*135*152



Rivets Connected Bracket

- **Material**
galvanized steel
- **Surface treatment**
epoxy resin powder coating UV durable



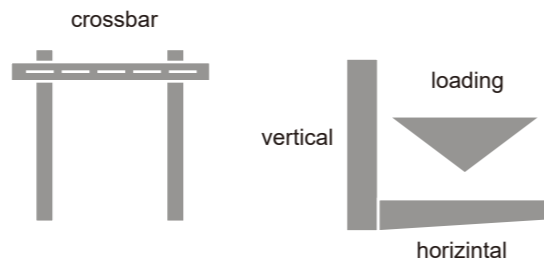
• Product parameters

Code ID	Horizontal strut (mm)	Vertical strut (mm)	Crossbar (mm)	Thickness (mm)	N.W. (kg)	G.W. (kg)	Loading (kg)	Individual box (mm)	Outer carton (mm)
Y013C	450	400	800	1.5	3.2	3.5	100	810*80*65	820*170*142
Y015C	550	400	800	1.8	4.3	4.6	150	810*80*65	820*170*142
Y016C	650	450	1000	2	5.4	5.7	150	1010*80*65	1020*170*142



Bolts Connecting Bracket

- **Material**
galvanized steel
- **Surface treatment**
epoxy resin powder coating UV durable



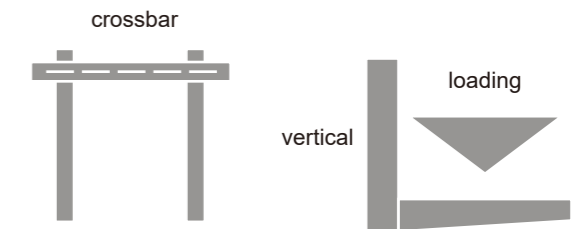
• Product parameters

Code ID	Horizontal strut (mm)	Vertical strut (mm)	Crossbar (mm)	Thickness (mm)	N.W. (kg)	G.W. (kg)	Loading (kg)	Individual box (mm)	Outer carton (mm)
W010C	450	450	800	1.5	3.8	4.8	100	910*90*72	925*195*156
W011C	500	500	1000	2	5.4	6.4	150	117*90*72	1185*195*156
W012C	550	500	1000	2	5.8	6.8	150	117*90*72	1185*195*156



Bolts Connecting Bracket

- **Material**
galvanized steel
- **Surface treatment**
epoxy resin powder coating UV durable



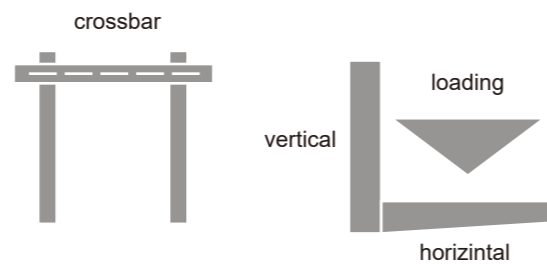
• Product parameters

Code ID	Horizontal strut (mm)	Vertical strut (mm)	Crossbar (mm)	Thickness (mm)	N.W. (kg)	G.W. (kg)	Loading (kg)	Quantity per carton	Individual box (mm)	Outer carton (mm)
AU450	450	350	700	1.5	3.3	3.5	100	6	720*80*70	730*260*155
AU550	550	450	850	1.8	4.7	4.9	150	4	863*80*70	870*175*155



Bolts Connecting Bracket

- **Material**
galvanized steel
- **Surface treatment**
epoxy resin powder coating UV durable



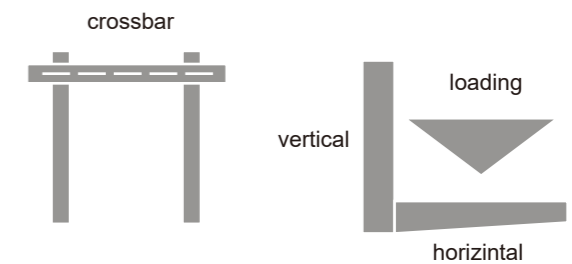
• Product parameters

Code ID	Horizontal strut (mm)	Vertical strut (mm)	Crossbar (mm)	Thickness (mm)	N.W. (kg)	G.W. (kg)	Loading (kg)	Quantity per carton	Individual box (mm)	Outer carton (mm)
US450	450	350	700	1.5	3.3	3.5	100	6	720*80*70	730*260*155
US550	550	450	850	2	5	5.3	180	4	865*85*70	875*170*155



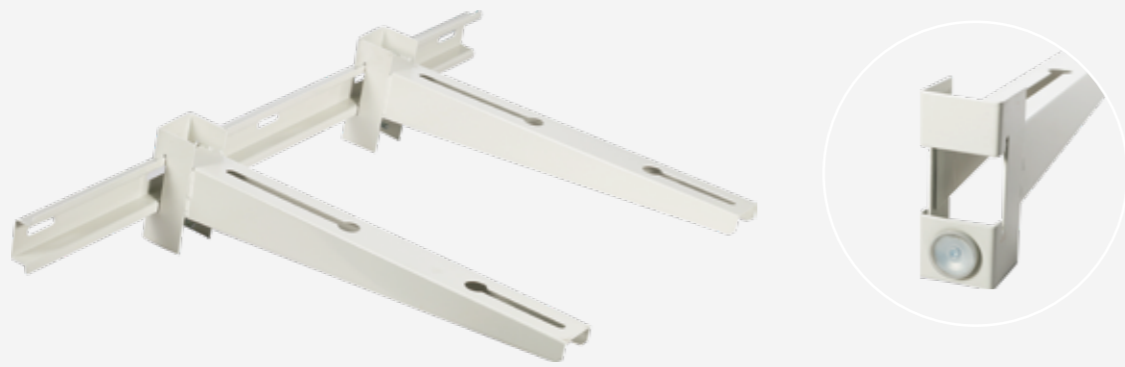
Bolts Connecting Bracket

- **Material**
galvanized steel
- **Surface treatment**
epoxy resin powder coating UV durable



• Product parameters

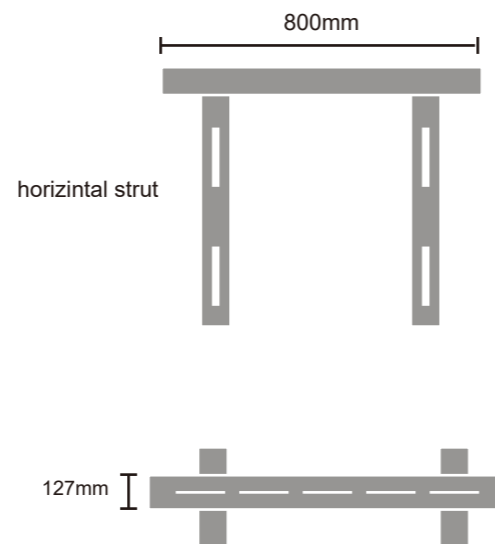
Code ID	Horizontal strut (mm)	Vertical strut (mm)	Crossbar (mm)	Thickness (mm)	N.W. (kg)	G.W. (kg)	Loading (kg)	Individual box (mm)	Outer carton (mm)
XA-1	450	400	800	1.8	4.9	5.6	160	805*100*70	820*210*152
XA-2	450	450	800	1.8	5.1	5.8	160	805*100*70	820*210*152
XA-3	600	450	1000	2	6.2	6.7	160	1010*100*70	1030*210*152



Welding Bracket

Zigzag Bracket

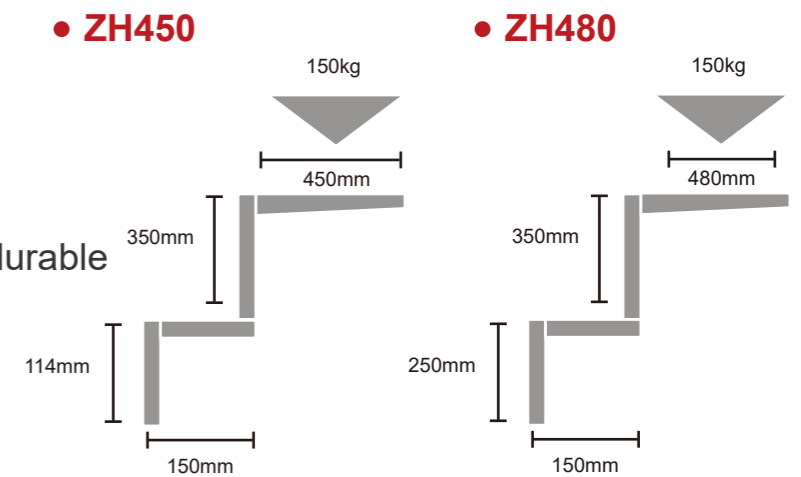
- **Material**
galvanized steel
- **Surface treatment**
epoxy resin powder coating UV durable



• Product parameters

Code ID	Horizontal strut (mm)	Vertical strut (mm)	Crossbar (mm)	Thickness (mm)	N.W. (kg)	G.W. (kg)	Loading (kg)	Individual box (mm)	Outer carton (mm)
BBA450	450	125	800	1.5	2.8	3	100	820*130*62	830*270*198
BBA480	480	125	800	1.5	3.1	3.5	100	820*130*62	830*270*198

- **Material**
galvanized steel
- **Surface treatment**
epoxy resin powder coating UV durable



• Product parameters

Code ID	Crossbar (mm)	Dimension (mm)	Thickness (mm)	N.W. (kg)	G.W. (kg)	Loading (kg)	Individual box (mm)	Outer carton (mm)
ZH450	800	450*350*150*114	2	5.3	5.5	150	810*196*70	820*210*222
ZH480	800	480*350*150*250	2	6.9	7.1	150	815*206*85	830*220*268



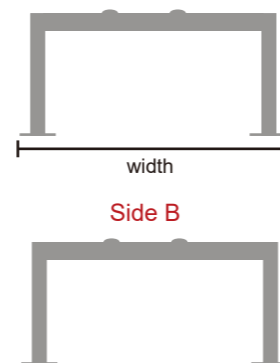
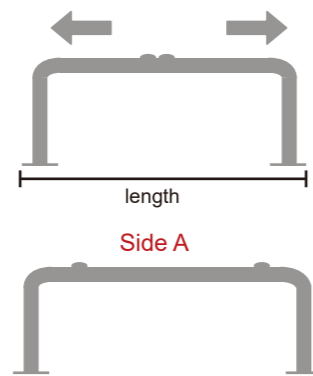
Floor Bracket



Floor Bracket Double Deck

- **Material**
galvanized steel
- **Surface treatment**
epoxy resin powder coating UV durable

- **Bolt pitch for installation side A**
Min550-Max850 adjustable
- **Bolt pitch for installation Side B**
Max500

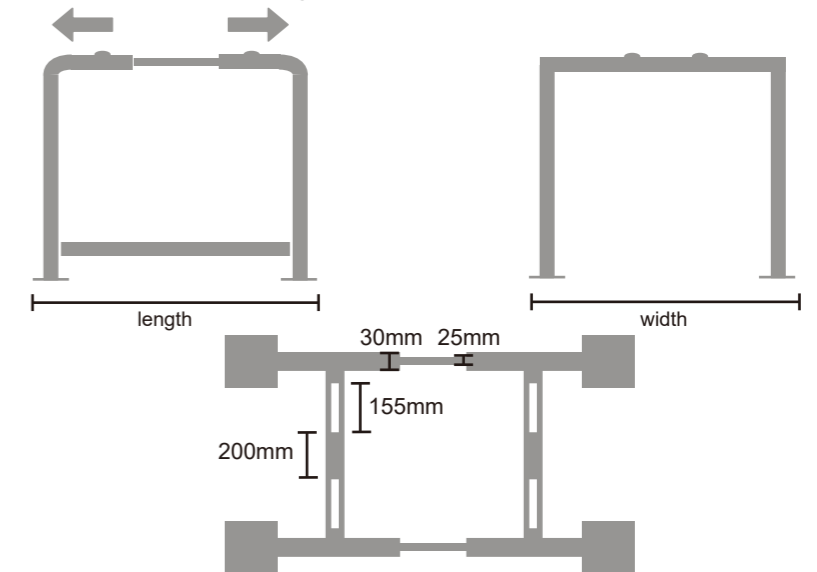


• Product parameters

Code ID	Length (mm)	Width (mm)	Height (mm)	Thickness (mm)	N.W. (kg)	G.W. (kg)	Loading (kg)	Carton dimension (mm)	Outer carton (mm)
Y320H	Min900-Max1200 adjustable	620	320	2	7.4	8	300	630*270*100	640*280*410

- **Material**
galvanized steel
- **Surface treatment**
epoxy resin powder coating UV durable

- **Bolt pitch for installation side A**
Min550-Max850 adjustable
- **Bolt pitch for installation Side B**
Max500



• Product parameters

Code ID	Length (mm)	Width (mm)	Height (mm)	Thickness (mm)	N.W. (kg)	G.W. (kg)	Loading (kg)	Individual box (mm)	Outer carton (mm)
Y860H	Min900-Max1200 adjustable	620	860	2	17.5	18.5	300	870*380*105	880*390*220

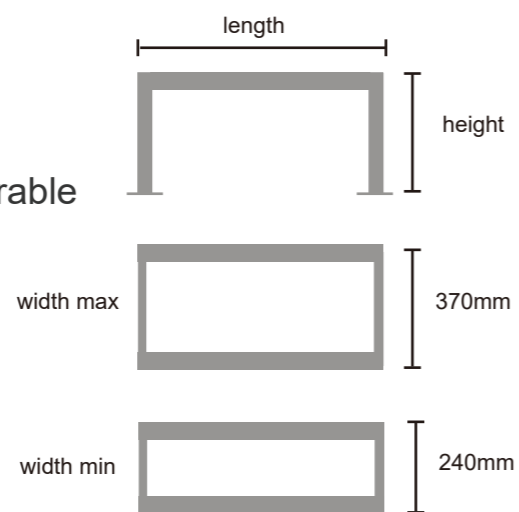


Size Adjustable Floor Bracket



Size Adjustable Floor Bracket

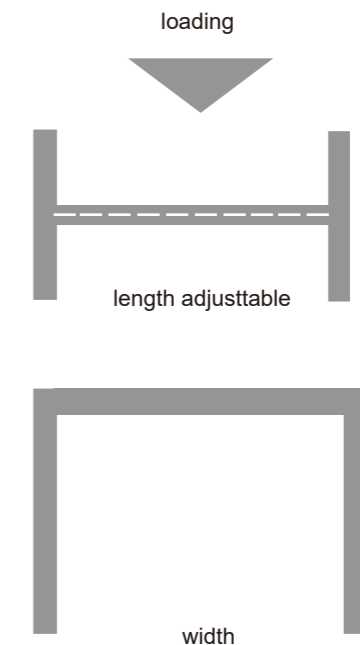
- **Material**
galvanized steel
- **Surface treatment**
epoxy resin powder coating UV durable



• **Product parameters**

Code ID	Length (mm)	Width (mm)	Height (mm)	Thickness (mm)	N.W. (kg)	G.W. (kg)	Loading (kg)	Individual box (mm)	Outer carton (mm)
E043H	850	Min240-Max370 adjustable	Min380-Max480 adjustable	1.5	5.8	6.2	150	885*312*62	900*328*258

- **Material**
galvanized steel
- **Surface treatment**
epoxy resin powder coating UV durable



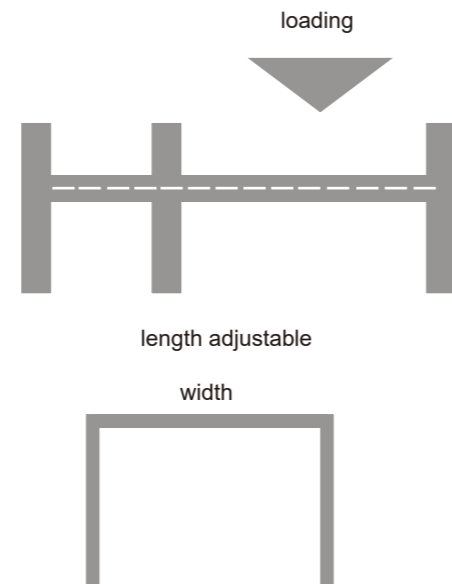
• **Product parameters**

Code ID	Length (mm)	Width (mm)	Height (mm)	Thickness (mm)	N.W. (kg)	G.W. (kg)	Loading (kg)	Individual box (mm)	Outer carton (mm)
E043D	Min520-Max1000 adjustable	420	400	2	5.7	6	200	460*440*58	470*450*244



Size Adjustable Floor Bracket

- **Material**
galvanized steel
- **Surface treatment**
epoxy resin powder coating UV durable



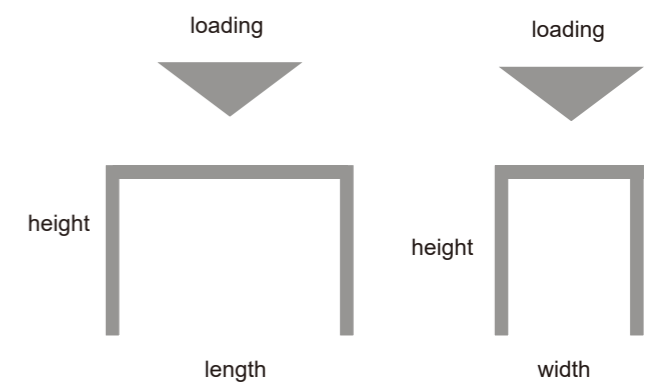
• Product parameters

Code ID	Length (mm)	Width (mm)	Height (mm)	Thickness (mm)	N.W. (kg)	G.W. (kg)	Loading (kg)	Individual box (mm)
E044D	Min810-Max1280 adjustable	420	400	2	9.17	9.69	200	450*450*120



Compact Floor Bracket

- **Material**
galvanized steel
- **Surface treatment**
epoxy resin powder coating UV durable



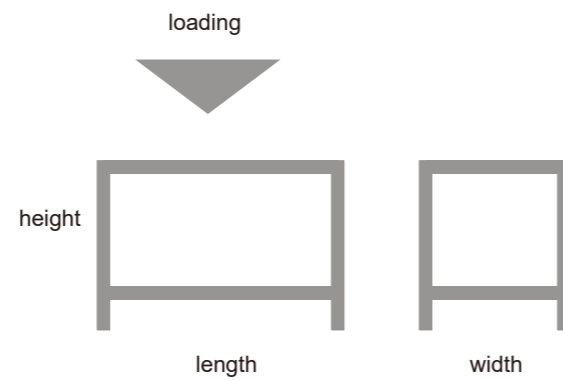
• Product parameters

Code ID	Length (mm)	Width (mm)	Height (mm)	Thickness (mm)	N.W. (kg)	G.W. (kg)	Loading (kg)	Individual box (mm)
XE-C3	800	410	280	2	4.88	5.46	200	820*120*53
XE-C4	900	450	280	2	6.6	7.4	200	923*128*53



Compact Floor Bracket Double Deck

- **Material**
galvanized steel
- **Surface treatment**
epoxy resin powder coating UV durable



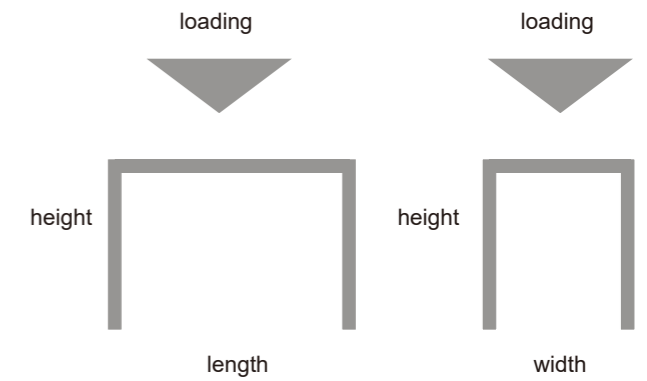
• Product parameters

Code ID	Length (mm)	Width (mm)	Height (mm)	Thickness (mm)	N.W. (kg)	G.W. (kg)	Loading (kg)	Individual box (mm)
XE-C1	800	410	800	2	7.4	8.1	200	830*145*100
XE-C2	900	450	800	2	11.8	12.8	200	930*145*100



Floor Bracket

- **Material**
galvanized steel
- **Surface treatment**
epoxy resin powder coating UV durable



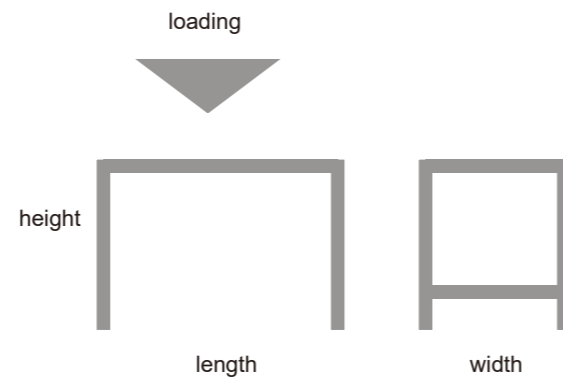
• Product parameters

Code ID	Length (mm)	Width (mm)	Height (mm)	Thickness (mm)	N.W. (kg)	G.W. (kg)	Loading (kg)	Individual box (mm)	Outer carton (mm)
E043C	850	380	400	2	7.6	7.9	200	860*390*55	870*400*235
E044C	850	480	400	2	8.3	8.6	200	860*490*55	870*500*235
E045C	1000	550	400	2	9	9.3	200	1010*560*55	1020*570*175
E046C	1000	600	400	2	9.3	9.6	200	1010*610*55	1020*620*175



Floor Bracket Enhanced

- **Material**
galvanized steel
- **Surface treatment**
epoxy resin powder coating UV durable



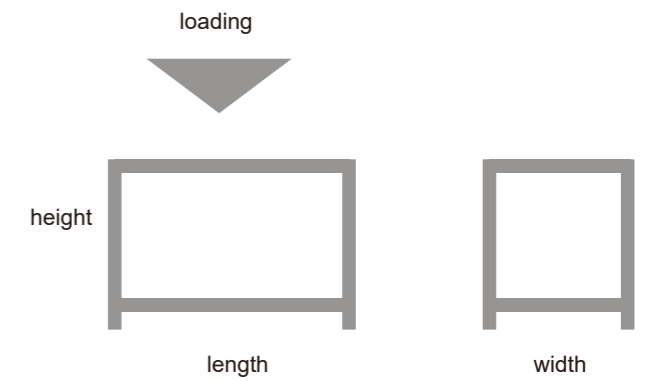
• Product parameters

Code ID	Length (mm)	Width (mm)	Height (mm)	Thickness (mm)	N.W. (kg)	G.W. (kg)	Loading (kg)	Individual box (mm)	Outer carton (mm)
E043C-P	850	380	400	2	7.7	8.7	200	860*390*55	870*400*235
E044C-P	850	480	400	2	8.2	9.24	200	860*490*55	870*500*235
E045C-P	1000	550	400	2	9.12	10.43	200	1010*560*55	1020*570*175
E046C-P	1000	600	400	2	9.7	11	200	1010*610*55	1020*620*175



Floor Bracket Double Deck

- **Material**
galvanized steel
- **Surface treatment**
epoxy resin powder coating UV durable



• Product parameters

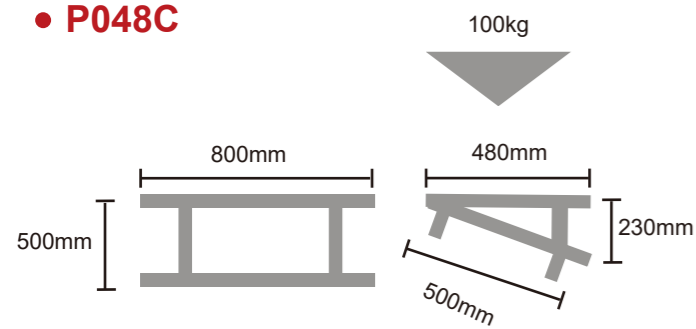
Code ID	Length (mm)	Width (mm)	Height (mm)	Thickness (mm)	N.W. (kg)	G.W. (kg)	Loading (kg)	Individual box (mm)	Outer carton (mm)
E043C-1	800	380	800	2	13.7	14	200	810*390*110	820*400*232
E044C-1	800	480	800	2	14.5	14.8	200	810*490*110	820*500*232
E045C-1	800	550	800	2	14.7	15	200	810*560*110	820*570*232
E046C-1	800	600	800	2	14.9	15.2	200	810*610*110	820*620*232



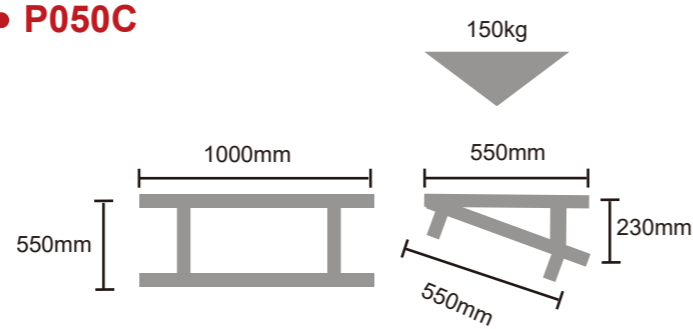
Roof Bracket

Roof Bracket

• P048C



• P050C



• Material

galvanized steel

• Surface treatment

epoxy resin powder coating UV durable

• Product parameters

Code ID	Horizontal strut (mm)	Foundational strut (mm)	Connecting strut (mm)	Supporting strut (mm)	Thickness (mm)	N.W. (kg)	G.W. (kg)	Loading (kg)	Individual box (mm)	Outer carton (mm)
P048C	480	800	500	230	1.5	5.3	5.6	100	820*120*70	830*250*150
P050C	550	1000	550	230	2	6.7	7	150	1020*120*70	1030*250*150

• Material

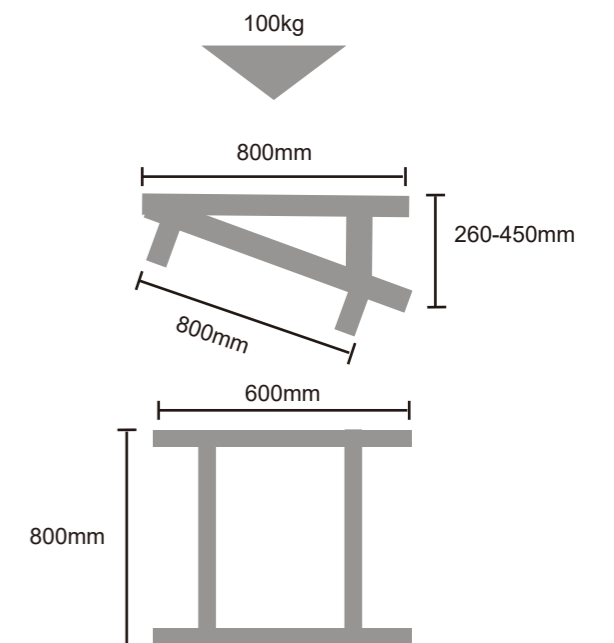
galvanized steel

• Surface treatment

epoxy resin powder coating UV durable

• Product parameters

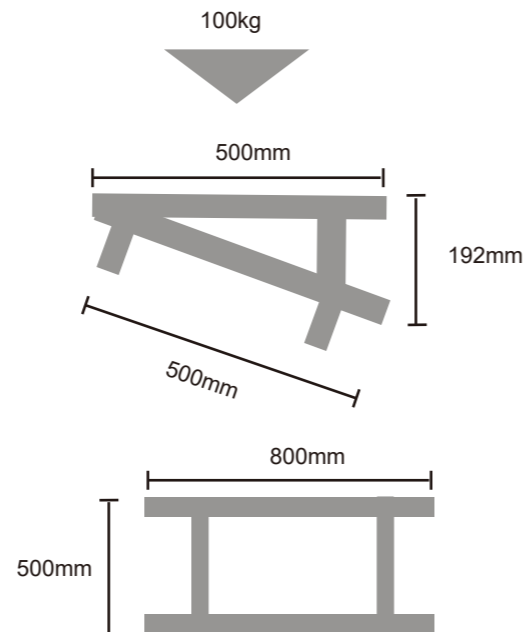
Code ID	Horizontal strut (mm)	Foundational strut (mm)	Connecting strut (mm)	Supporting strut (mm)	Thickness (mm)	N.W. (kg)	G.W. (kg)	Loading (kg)	Individual box (mm)	Outer carton (mm)
XP-A	800	600	800	Min260-Max450 adjustable	1.5	4.2	4.6	100	810*125*72	825*280*160





Roof Bracket

- **Material**
galvanized steel
- **Surface treatment**
epoxy resin powder coating UV durable



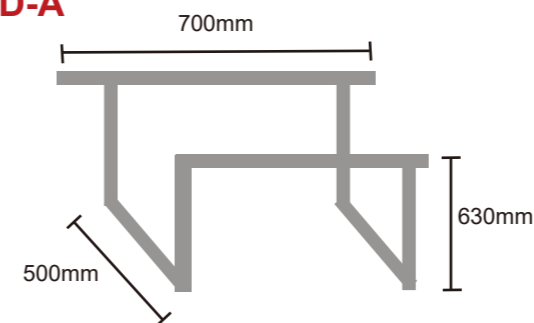
• Product parameters

Code ID	Horizontal strut (mm)	Foundational strut (mm)	Connecting strut (mm)	Supporting strut (mm)	Thickness (mm)	N.W. (kg)	G.W. (kg)	Loading (kg)	Individual box (mm)	Outer carton (mm)
RF-A	500	800	500	192	1.5	5	5.4	100	1005*95*72	1020*210*160

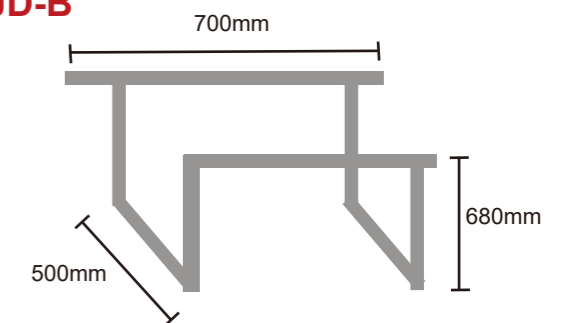


Ceiling Mounting Bracket

• TJD-A



• TJD-B



- **Material**
galvanized steel
- **Surface treatment**
epoxy resin powder coating UV durable

• Product parameters

Code ID	Horizontal strut (mm)	Vertical strut (mm)	Ceiling mounting strut (mm)	Thickness (mm)	N.W. (kg)	G.W. (kg)	Loading (kg)	Carton dimension (mm)
TJD-A	500	630	700	1.5	4.87	5.14	120	715*185*50
TJD-B	500	680	700	1.5	5.51	6.3	120	715*185*50

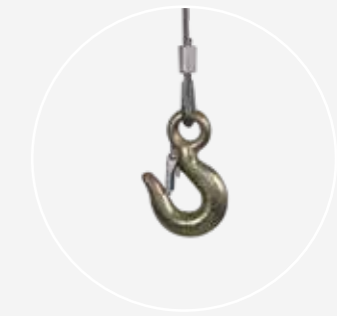


Wind Guider

- **Material**
galvanized steel
- **Surface treatment**
epoxy resin powder coating UV durable

• Product parameters

Code ID	Length (mm)	Height (mm)	Depth (mm)	N.W. (kg)	G.W. (kg)	Dimension (mm)
DFB-1H	450	450	90	1.8	2.5	475*490*110
DFB-2H	500	500	90	2.3	3	535*540*110
DFB-3H	550	550	90	2.5	3.2	580*585*110
DFB-4H	600	600	90	3	3.8	630*630*110
DFB-5H	650	650	90	3.3	4.3	680*680*110
DFB-1B	450	450	60	1.1	1.9	470*485*75
DFB-2B	500	500	60	1.5	2.0	520*535*70
DFB-3B	550	550	60	1.6	2.2	570*585*70
DFB-4B	600	600	60	2.0	2.7	620*640*70
DFB-5B	650	650	60	2.2	3.0	670*690*70

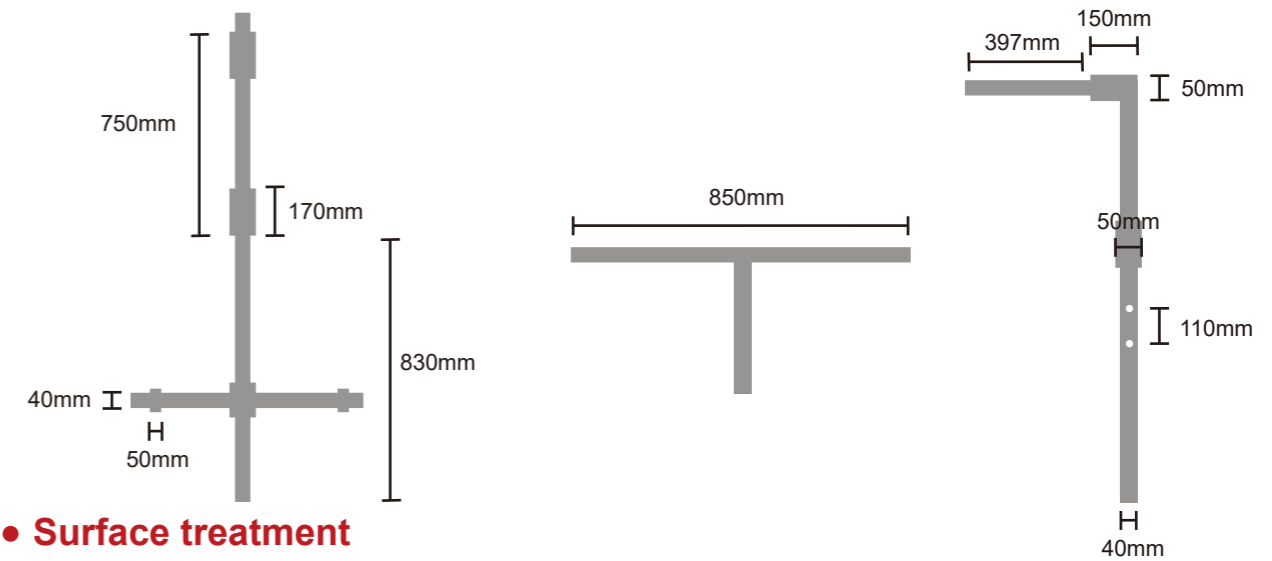


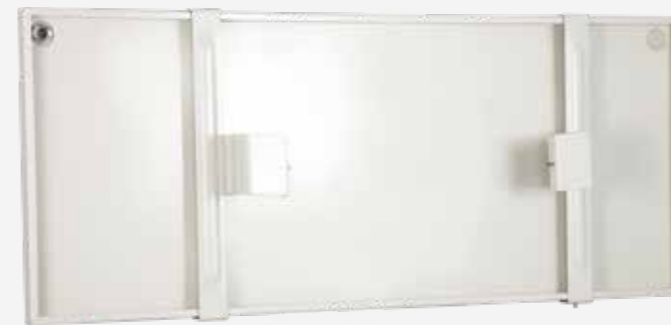
A/C Outdoor Unit Lift

- **Surface treatment**
epoxy resin powder coating UV durable

• Product parameters

Code ID	Length (mm)	Height (m)	Cable length (mm)	N.W. (kg)	G.W. (kg)	Loading (kg)	Carton dimension (mm)
DZ-1	850	1650	20	13	14	250	1022*215*192





Heating Condenser Water Tray

Condenser Water Tray

- **Material**
galvanized steel
- **Surface treatment**
epoxy resin powder coating UV durable



• Product parameters

Code ID	Length (mm)	Width (mm)	Height (mm)	N.W. (kg)	G.W. (kg)	Protection against electric shock	Rating	Degree of Protection	Individual box (mm)	Outer carton (mm)
SC-DP-tray	820	340	50	6.6	7	Class I	230V 50/60 Hz 130W	IPX4	830*380*140	840*390*300

- **Material**
galvanized steel
- **Surface treatment**
epoxy resin powder coating UV durable

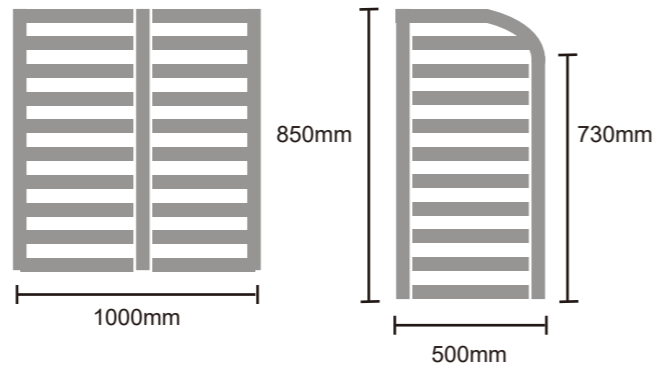
• Product parameters

Code ID	Length (mm)	Width (mm)	Height (mm)	N.W. (kg)	G.W. (kg)	Carton dimension (mm)
U040C	790	350	30	4	4.5	820*380*80
U041C	930	350	30	4.5	5	960*380*80
U042C	970	350	30	5	5.5	1000*380*80



A/C Outdoor Unit Protective Housing

- **Material**
galvanized steel
- **Surface treatment**
epoxy resin powder coating UV durable



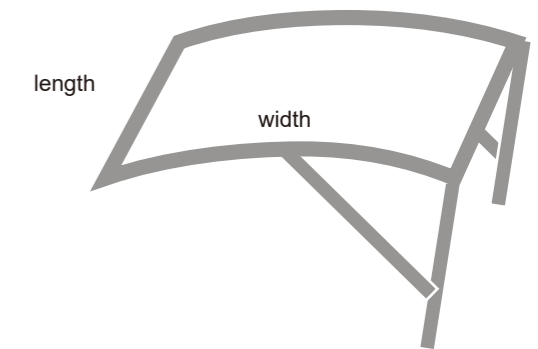
• Product parameters

Code ID	Length (mm)	Width (mm)	Front height (mm)	Rear height (mm)	N.W. (kg)	G.W. (kg)	Carton dimension (mm)
KTZ-A	1000	500	730	850	20	23	1050*870*130



Roof For A/C Outdoor Unit

- **Material**
galvanized steel
- **Surface treatment**
epoxy resin powder coating UV durable



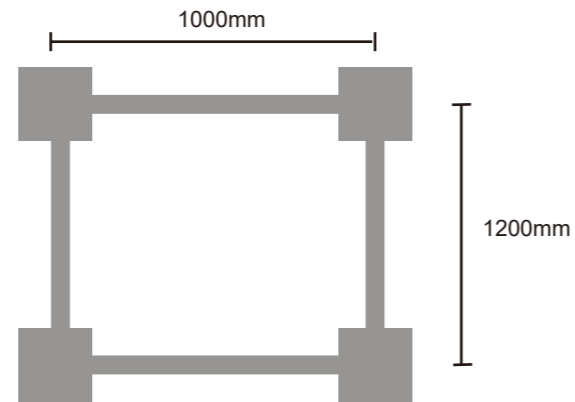
• Product parameters

Code ID	Length (mm)	Width (mm)	N.W. (kg)	G.W. (kg)	Individual box (kg)	Individual box (mm)
YP-A	920	540	5.9	6.4	950*550*34	960*560*150
YP-B	1200	640	6.8	7.3	1220*650*33	1235*660*144



Big Foot Base Frame

- **Surface treatment**
Hot dipped galvanized



• Product parameters

Code ID	Length (mm)	Width (mm)	Height (mm)	N.W. (kg)	G.W. (kg)	Loading (kg)	Carton dimension (mm)
DJ-1000	1000	1200	Min350-Max500 adjustable	30	32	800	1220*410*130

• FB400(600)



• BXJ-400



• Product parameters

Code ID	Quantity per pallet	N.W. (kg)	Dimension(mm) L*W*H	Aluminum alloy rail (mm)
FB400	256	3.7	400*150*170	
FB600	192	4	600*150*170	
BXJ400	800	2.1	400*130*50	376

• RXJ250



• SXJ250



• AXJ450



• SXJ450



• Product parameters

Code ID	Quantity per pallet	N.W. (kg)	Dimension(mm) L*W*H	Aluminum alloy rail (mm)
RXJ250	1160	1.4	250*160*50	210
SXJ250	580	2.4	250*160*95	210

• Product parameters

Code ID	Quantity per pallet	N.W. (kg)	Dimension(mm) L*W*H	Aluminum alloy rail (mm)
AXJ450	560	2.5	450*130*65	410
SXJ450	320	4.5	450*160*95	410

• AXJ500



• SXJ600



• SXJ1000



• SQ150



• ECO400



• ECO600

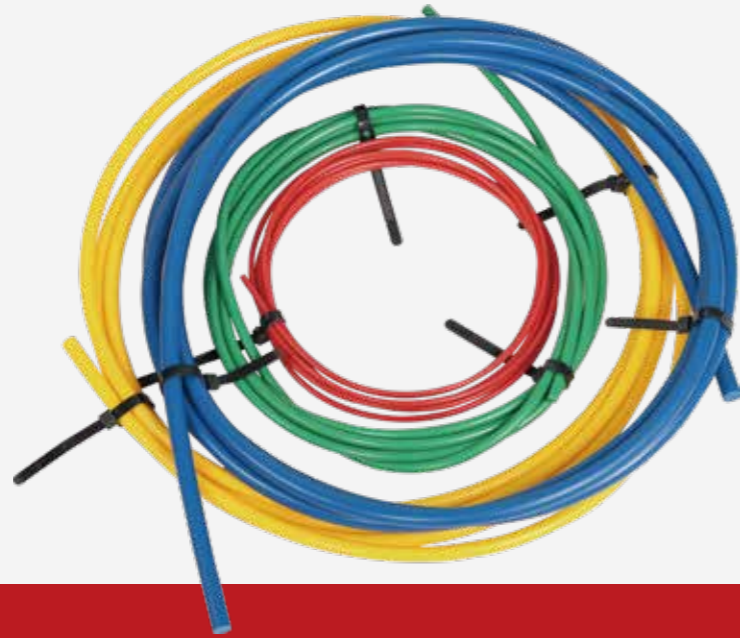


• Product parameters

Code ID	Quantity per pallet	N.W. (kg)	Dimension(mm) L*W*H	Aluminum alloy rail (mm)
AXJ500	560	3	500*130*65	460
SXJ600	240	6	600*160*95	565
SXJ1000	120	10	1000*160*95	960

• Product parameters

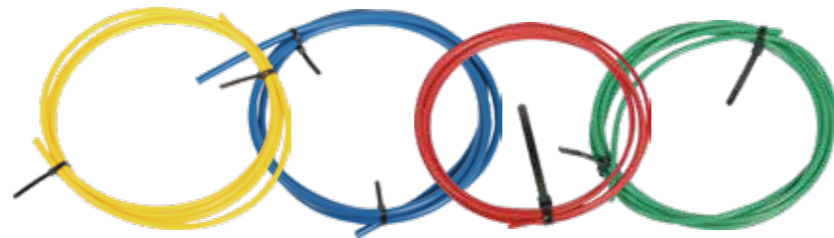
Code ID	Quantity per pallet	N.W. (kg)	Dimension(mm) L*W*H	Aluminum alloy rail (mm)	Quantity per carton	Carton dimension (mm)
SQ150	960	1.22	150*150*98	103	4	300*150*196
ECO400	360	3.8	400*160*95	359		
ECO600	240	5.4	600*160*95	559		



Plastic Pipe Bender

Support For Indoor Unit Installation

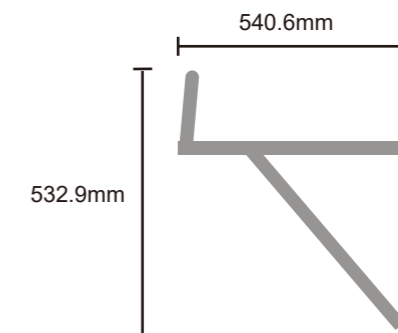
- **Material**
PE



• Product parameters

Code ID	Length (mm)	Diameter (mm)	Color	N.W. (kg)	G.W. (kg)	Quantity per carton	Carton dimension (mm)
PPB	4	12.2	blue	1	1.3	12 sets	48*48*25
PPB	4	9.5	yellow	1	1.3	12 sets	48*48*25
PPB	4	6.8	green	1	1.3	12 sets	48*48*25
PPB	4	3.8	red	1	1.3	12 sets	48*48*25

- **Material**
ABS



• Product parameters

Code ID	Effective range	N.W. (kg)	G.W. (kg)	Loading (kg)	Carton dimension (mm)
SNJ-1	445	2.3	2.6	40	620*240*180



PVC Floor Base

- **Material**
PVC

• **Product parameters**

Code ID	Length (mm)	Width (mm)	Height (mm)	N.W. (kg)	G.W. (kg)	Loading (kg)	Carton dimension (mm)
Q037C	350	105	95	1.1	1.3	200	360*200*100
Q037C	450	105	95	1.4	1.6	200	460*200*100



AED Cabinet



Medicine Cabinet

- **Material**
galvanized steel
- **Surface treatment**
epoxy resin powder coating UV durable

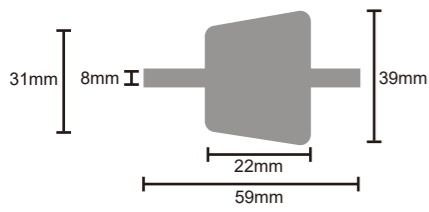
• **Product parameters**

Code ID	Length (mm)	Depth (mm)	Height (mm)	N.W. (kg)	G.W. (kg)	Individual box (mm)
AED-H	440	210	440	6.6	7.48	480*275*513
Med-C	350	180	460	4.7	5	365*185*485

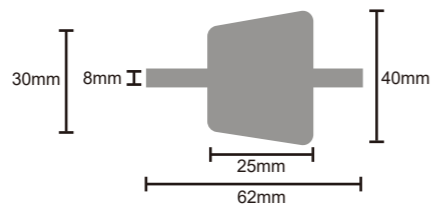
• **CL60S**



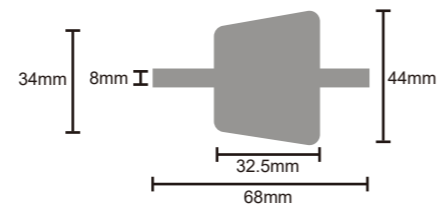
• **AG30**



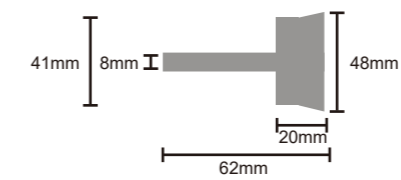
• **AG35**



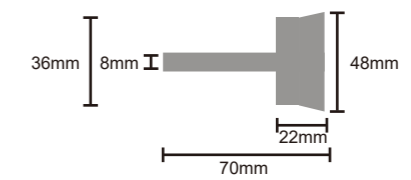
• **AG45**



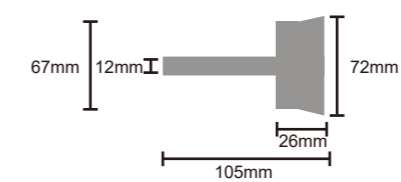
• **S40 separated**



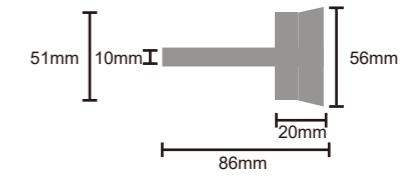
• **S40**



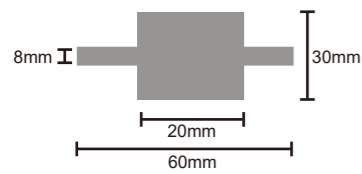
• **S70**



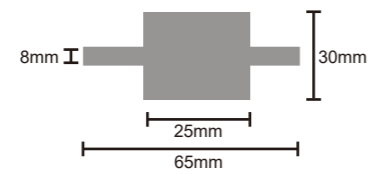
• **S60**



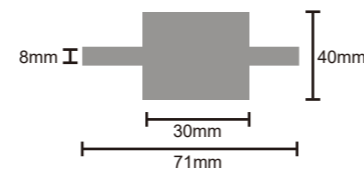
• **CL30(3020)**



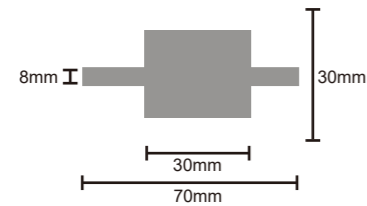
• **CL40(3025)**



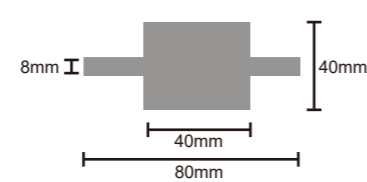
• **CL45(4030)**



• **CL50(3030)**



• **CL60(4040)**



• **R4008**

