

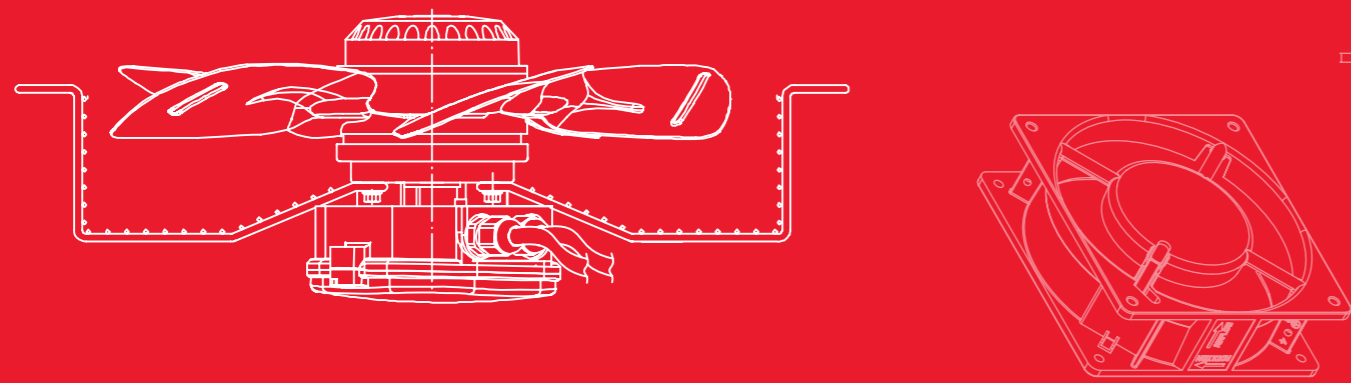


MOTORS & FANS

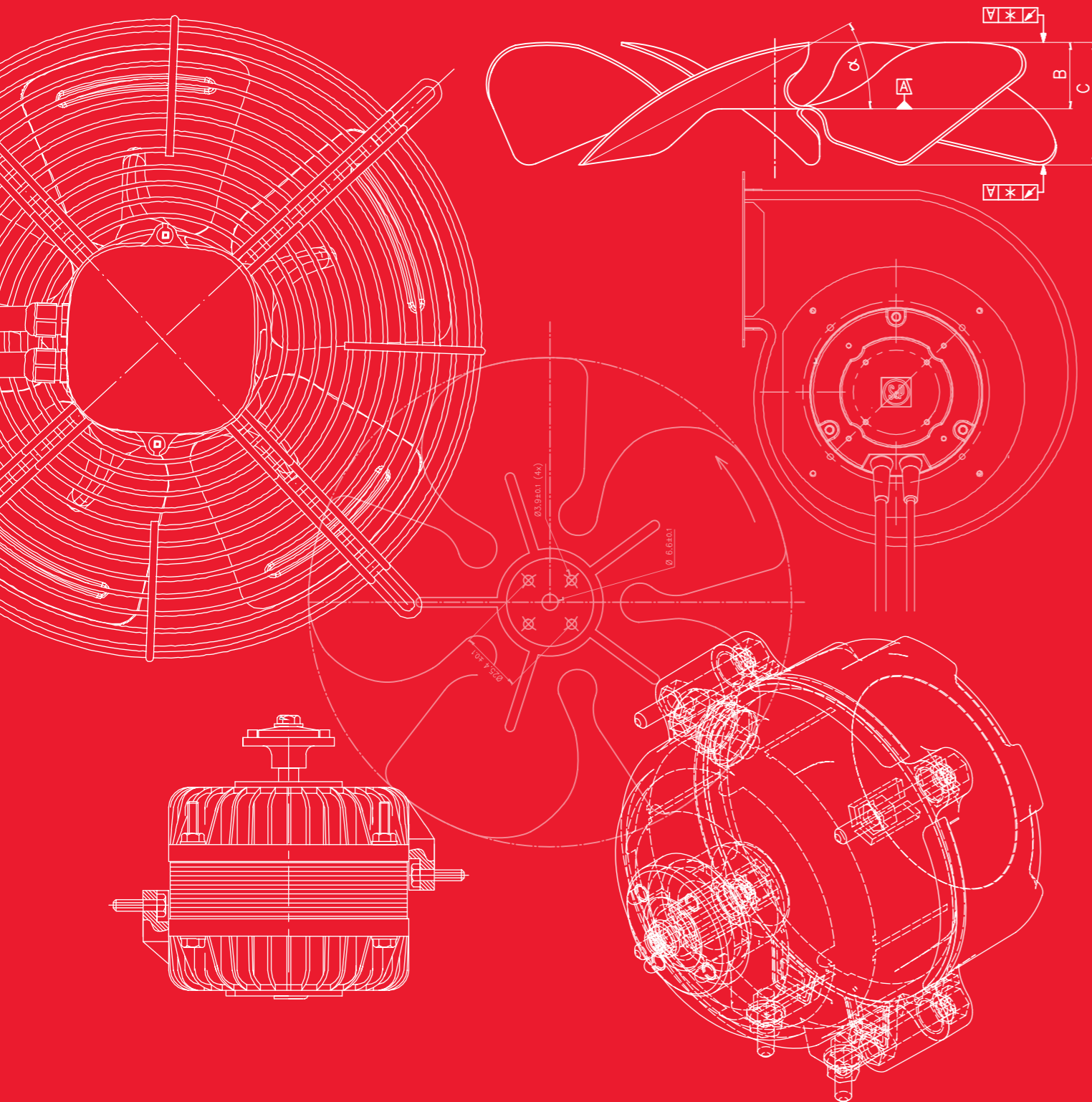
Professional
Cooling Fan
Manufacturer

EC Motors
Shaded Pole Motors
External Rotor Axial Fans

www.fanlab.com



Axial Fan & Motor Specialist

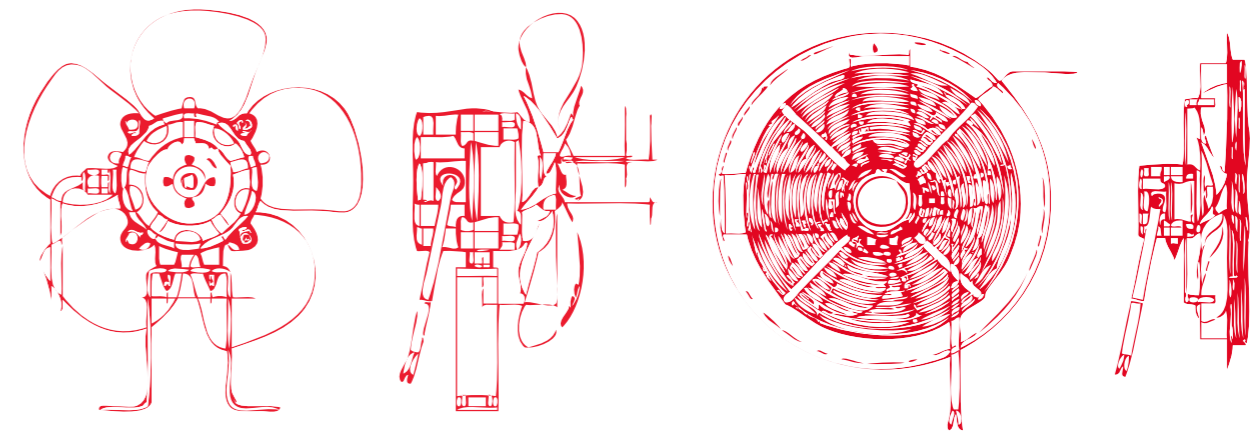


ABOUT US

Fanlab is a 15 years experienced professional manufacturer of refrigeration market products, such as shaded pole motors, EC motors and axial fans.

Specialized in motors for fans of refrigerated counters and refrigerated display cases, it stands out for its wide range of products and variants and the high level of customization.

Fanlab can study and perform improvements on its products, thanks to dedicated investments in hi-tech solutions.



OUR CATALOGUE

EXTERNAL ROTOR AXIAL FANS



SHADED POLE MOTORS



ECM



ACCORIES



Serie FL-2/4/6

AC External Rotor Axial Fans



Voltage	230 V - 50/60Hz (Single Phase capacitor operation) 400V - 50/60 Hz (Three phase asynchronous operation)
Motor Poles	2 / 4 / 6
Diameter Fan Blade	from 250 to 800mm
Insulation class	B (*F* on request)
Air Direction	Sucking or Blowing
Operating temperature	-30°C ~ 60°C
Duty cycle	Continuous operating (S1)
Protection	IP 54 with connection box
Bearing Type	Ball Bearing
Life expectancy	30.000 hours
Certifications	CE, UL (pending), ERP2015*

Single and three-phase external rotor axial fans are widely used in industrial ventilation, commercial refrigeration condenser and evaporator. The fan blades, in thermoplastic material or steel, have been designed to get a compact high efficiency fan with a reduced sound level. The standard version is supply with connection Box but is available with electrical wire.

- Single or Three phase
- Working temperature between -30 C and +60 C
- Fan blades diameter: from 300mm to 800mm

Other dimensions available on request.

Serie FL-EC

EC External Rotor Axial Fans



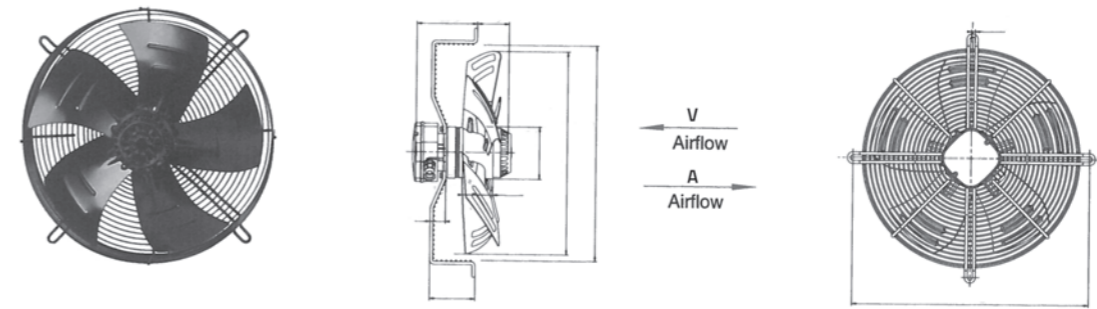
Voltage	230 V - 50/60Hz (Single Phase capacitor operation) 400V - 50/60 Hz (Three phase asynchronous operation)
Diameter Fan Blade	from 250 to 800mm
Speed	Single speed, 0-10 Vdc, Vari-speed, FG speed signal output
Insulation class	F
Air Direction	Sucking or Blowing
Operating temperature	-25 C ~ 60 C
Duty cycle	Continuous operating (S1)
Protection	IP 54 with connection box
Bearing Type	Ball Bearing
Life expectancy	30.000 hours
Certifications	CE, UL (pending), ERP2015*

EC external rotor axial fans are mostly used in industrial ventilation and commercial refrigeration. EC series is the new generation of axial fans, with a higher efficiency than the traditional motors assuring an energy saving up to 50% of power consumption. The EC series is a brushless fan or permanent magnet synchronous and could be supply with input 115VAC/230VAC/380VAC power.

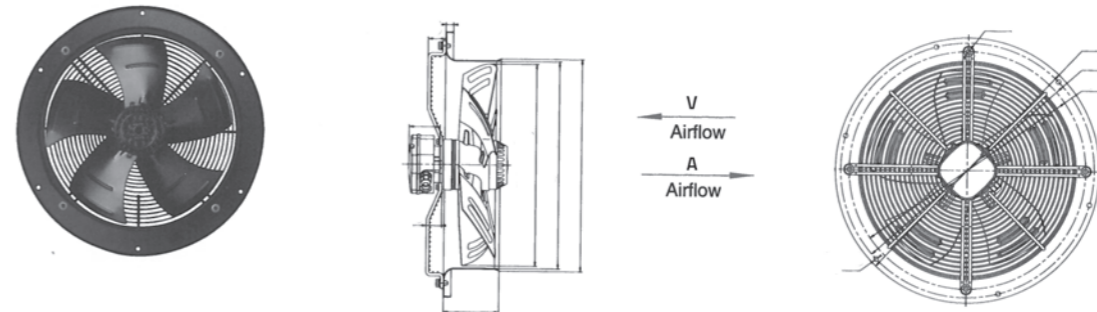
- Power supply 230V - 50/60Hz
- Soft start
- Protection against over current, overvoltage and overeating
- Variable speed through input signal 0-10 Vdc and FG speed signal output
- Fan blades diameter: from 300mm to 800mm

Mounting Options

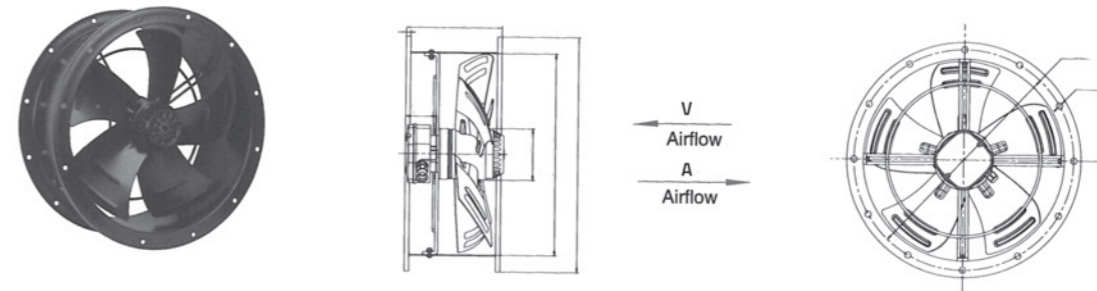
Grid Fan (standard)



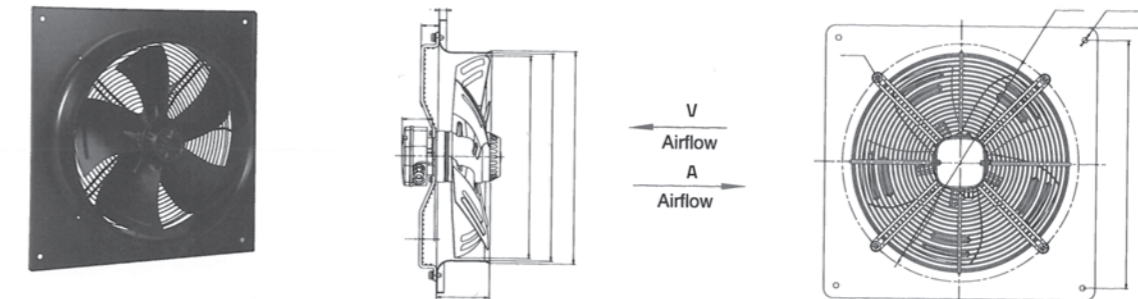
Round Frame Fan (Type R)



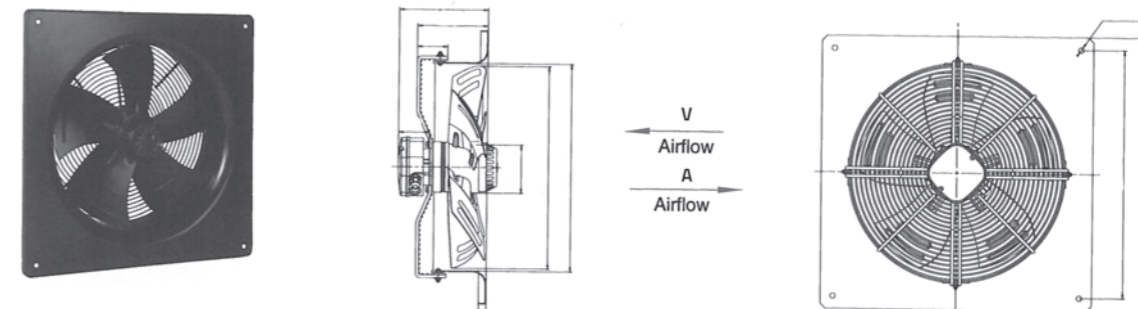
Cylinder Fan (Type T)



Square Frame Fan (Type B0)



Square Frame Fan (Type B1)



Serie SME Electronic Motor



SME series is the new motors generation, with a higher efficiency than the traditional motors assuring an energy saving up to 80% of power consumption.

5, 15, 20W motors 230V 50/60HZ are available.

The new generation motors are completely interchangeable with the classic shaded pole motors and support all accessories, such as fans, brackets, grilles and nozzles. The case in thermoplastic ensures an IP65 degree of protection and a modern design.

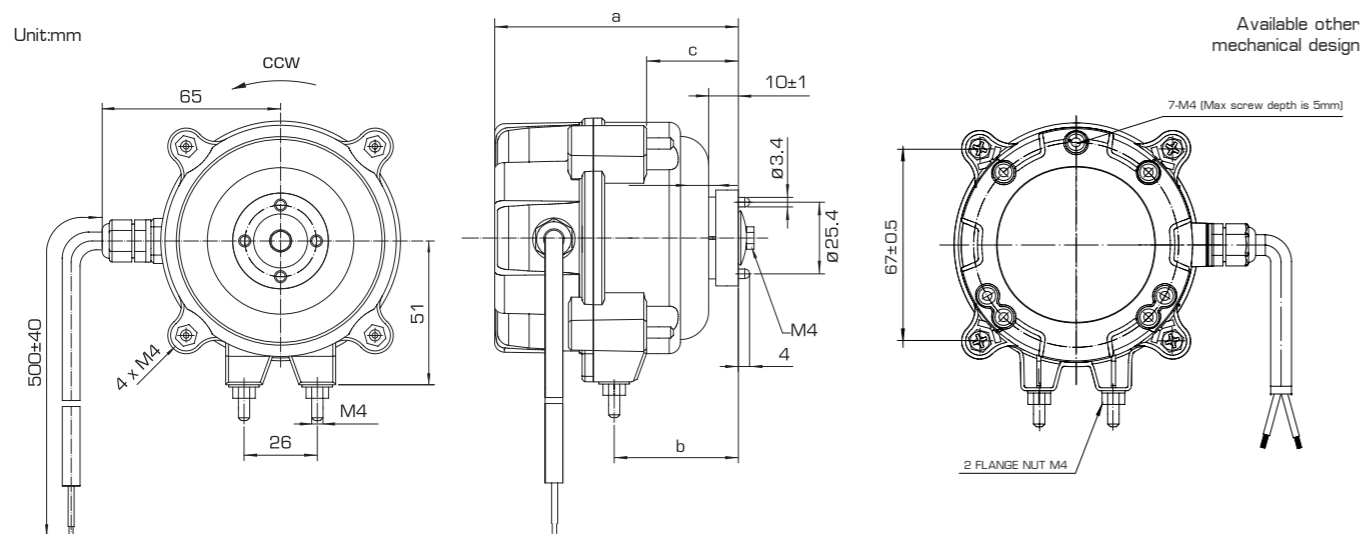
Request ATEX certification for hazardous environments such as in commercial cooling system, supermarket refrigerated counters and cold rooms where explosive gases might be generated.

Main motors are certified according to the following standard: VDE, CE, UL and ATEX.

Specifications

Nominal data		Voltage	Frequency	Speed	Output capacity	Dimensions		
Type	Features	V	Hz	rpm	W	a	b	c
FL-SME108	Standard CW&CCW 2 Speeds Vari-speed	100 ~120 V 220 ~240 V	50/60 Hz	500 ~ 2300	5	83	435	325
FL-SME112	Standard CW&CCW 2 Speeds Vari-speed	100 ~120 V 220 ~240 V	50/60 Hz	500 ~ 2300	15	87	435	325
	Vari-speed	DC 24 V	---	500 ~ 2300	15			
FL-SME120	Standard CW&CCW 2 Speeds Vari-speed	100 ~120 V 220 ~240 V	50/60 Hz	500 ~ 2300	22	95	435	325
	Vari-speed	DC 24 V	---	500 ~ 2300	20			

Technical Drawing



Serie ESF Energy Save Fan



These compact axial fans, based on SME motor, are suitable for refrigeration market, such as refrigerated display cases, refrigeration chests or condensing units. The fans incorporate a new plastic rotor which is aerodynamically efficient and more silent.

- : External EC Motor, efficiency up to 70%
- : NFC technologies making possible to set up the speed directly on the application without opening the motor.
- : Soft connection between motor and ring, reducing vibrations.
- : Compact design suitable for limited space in the application.
- : More powerful output.

Serie SM Shaded Pole Motor



Single phase shaded pole motors belong to SME series. They are widely used in the radiator, evaporator and other refrigeration equipment.

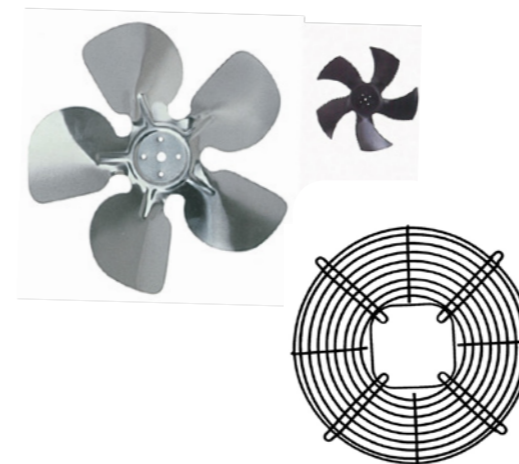
The standard range are available from 5 to 34W, protection IP42 and insulation class B.

5W and 10W motors are protected by impedance, while 16W, 18W, 25W and 34W motors are thermal protected.

Standard construction is provided with sleeve bearings. Ball bearings on demand.

Motors are certified according to the following standard CE, UL, VDE and ROHS

Accessories Fan Blade, Grids, Bracket, Ring



A wide range of accessories complete the range of product for Shaded Pole motor and EC.

- Aluminium and plastic fan blade from 154 to 300mm and blade angulation from 19° to 34°.
- Bracket 18 and 26mm center distance.
- Steel or plastic Ring.
- Grids and Fan guards





MOTORS & FANS

SALES NETWORK

Contacts

For any further info please contact us at the following address
如果您对我们的产品或服务有任何问题，请给我们留言，谢谢！

COMESTERO SISTEMI SRL

Via Bolzano 1E, 20871 Vimercate MB, Italy
tel. +39 039.625091 | info@comestero.com
www.comestero.com