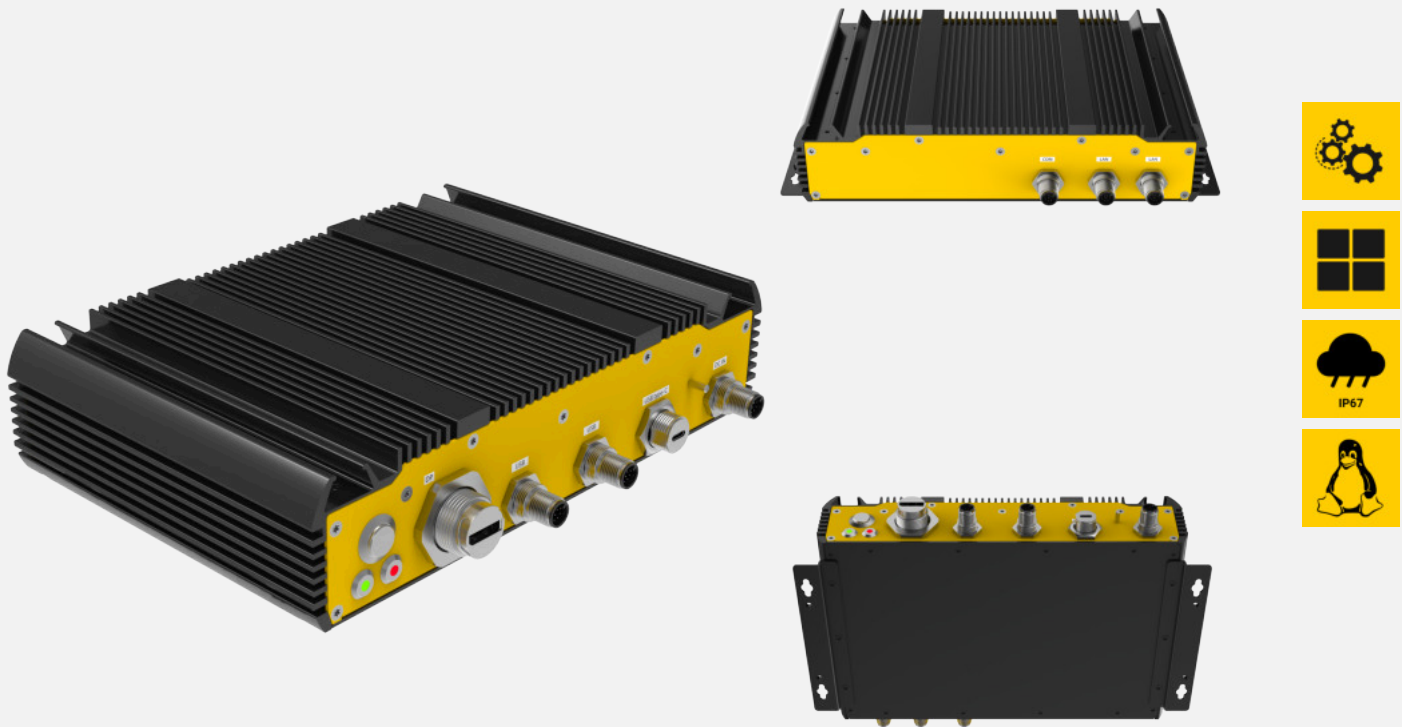


Rugged. Protected. Resistant.



Fully enclosed IP67 housing

Protection against dust, water, and harsh environments

Vibration resistance

Ideal for use in machines and mobile applications

Intel Core i5 Raptor Lake CPU

High computing power for industrial requirements

Compact & fanless design

Space-saving and maintenance-free

Designed for industrial use

Screwed connections provide extremely robust connectivity

- » Powerful 13th generation Intel® Core i5 Deca-Core CPU
- » Completely passive cooling – no fan!
- » High shock and vibration resistance according to MIL-STD-810G
- » Fully dustproof and waterproof IP67 housing
- » Highly customizable for perfect project integration with low minimum order quantities
- » 128 GB to 1 TB M.2 NVMe system storage, 2nd SATA SSD up to 8 TB
- » Up to 64 GB DDR5 RAM
- » Outstanding Intel® Iris® Xe graphics
- » 3 x USB 3, 2 x Ethernet, 1 x RS232/422/485, 1 x Displayport
- » Fieldbus and real-time Ethernet protocols can be integrated on a project basis
- » High operating temperature range
- » Supported operating systems: Windows 10 IoT Enterprise LTSC, Windows 11 IoT Enterprise LTSC, Windows 11 Pro, Ubuntu Linux 22.04
- » TPM 2.0 integrated – hardware-based tamper protection
- » Includes connection cable and mounting kit for wall mounting
- » CO2e emissions from production and logistics fully offset
- » 2-year warranty

Rugged. Protected. Resistant.



General housing characteristics

Housing	Closed, robust aluminum housing, yellow front and rear, cooling fins, fanless, waterproof screw connections
Dimensions	256 x 170 (209) x 58 mm
Sealing	IP67
Operating temperature	<ul style="list-style-type: none"> ■ 0° C – +60° C ■ -40° C – +85° C*
Storage temperature	-40° C – +85° C
Vibration resistance	3.5 Grms
Humidity	95%, non-condensing
Input voltage	DC 12V~24V ± 10%
Weight	2,59 kg (net), 5 kg (total)
Keys	Power Button
Status indicators	1 x Power LED, 1 x HDD LED

System characteristics

Operating system	Windows 10 IoT Enterprise, Windows 11 IoT Enterprise, Windows 11 Pro (Standard), Ubuntu Linux, Yocto BSP
Processor options	<ul style="list-style-type: none"> ■ Intel® Core i5-1345UE ■ Intel® Core i3-1315UE* ■ Intel® Prozessor U300E*
Graphics processor	■ Intel® UHD Graphics
System memory	<ul style="list-style-type: none"> ■ 128 GB to 2 TB M.2 PCIe Gen 4 NVMe ■ SATA Gen III SSD up to 8 TB*
Working memory	■ 4 to 64 GB DDR5 4800 MHz

Connections in standard configuration³

Electricity input	DC-In
Serial ports	■ 1 x RS232/422/485
USB	<ul style="list-style-type: none"> ■ 2 x USB3.2 Gen2x1 10 Gbps (Typ A) ■ 1 x USB 3.2 Gen2x1 10 Gbps, DisplayPort 1.4 Alt Support (Typ C)
RJ45	■ 2 x RJ45 (1 x Gbit, 1 x 2,5 GBit)
Monitor output (maximum resolution: 4096x2160@60Hz)	■ 1 x DisplayPort 1.4

* = Optional, minimum purchase quantity may be required ³ = Other configurations available on a project basis. Let us know which connections you require.

Rugged. Protected. Resistant.



Optional features

WLAN / Bluetooth*	Intel AX210 Tri-Band WiFi6E WLAN with Bluetooth 5.3
WWAN*	4G LTE high-speed Internet up to 300 Mbps download, 50 Mbps upload; DFOTA support, DTMF support, MIMO, variants available for different regions (EMEA/Australia/Brazil Standard)
Boot on Power	Switch on the computer as soon as it receives power.
Additional connections & functions ^{3*}	5G WWAN FRMCS-fähig ³ , GPS, LoRaWAN, Hailo-8 Edge AI-Beschleunigung, CAN-Bus/CANopen, DeviceNet, Profibus, CC-Link IE Field Basic, EtherCAT, POWERLINK, Modbus, PROFINET, Sercos, Varan, OPC UA, MQTT

Further specifications

Innovative features	Gauss and Neural Accelerator 3.0, Thread Director, Image Processing Unit 6.0, Speed Shift Technology, Hyper-Threading Technology, Intel® SSE4.1, Intel® SSE4.2, Intel® AVX2, Temperature Monitoring, Flex Memory Access, Volume Management Device (VMD)
Security Features	Watchdog timer, AES New Instructions, Boot Guard, Directed I/O virtualization technology (VT-d), OS Guard, TPM 2.0, virtualization technology (VT-x)

Other

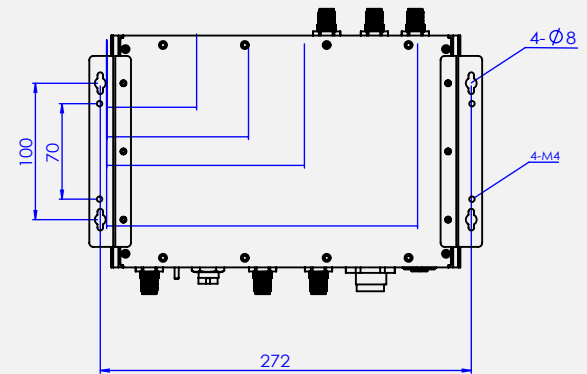
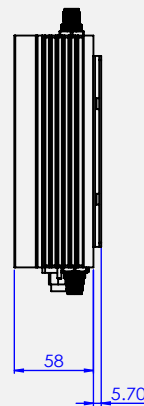
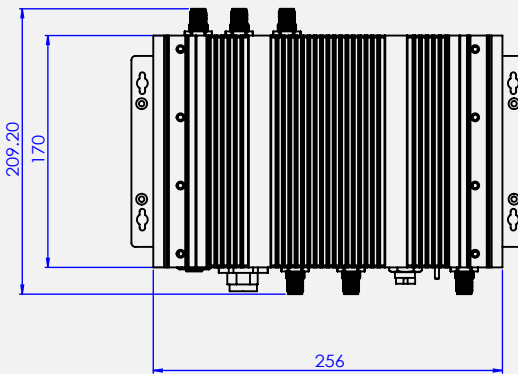
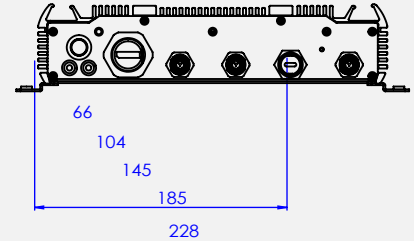
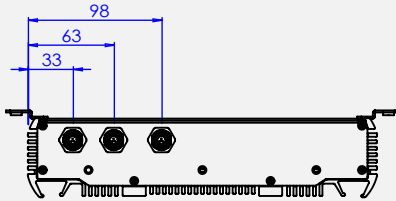
Included accessories	External 110-240VAC power supply, mounting bracket
Optional accessories	See accessories catalog
Warranty	2-year warranty, extended warranty available

Climate-neutral product

This product is climate neutral. The production and logistics of the Rocksmart RSX2000 generate 346 kg of CO2e emissions. These unavoidable emissions are fully and generously offset by Gold Standard projects. For more information about our environmental efforts, please visit <https://www.werocktools.com/company/environmental-protection/>.

* =Optional, minimum purchase quantity may be required ³ = Other configurations available on a project basis. Let us know which connections you require..

Rugged. Protected. Resistant.



Model	Specifications	SKU
Rocksmart RSX2000	P67 Robust industrial embedded computer Memory: 16 GB LPDDR5, 256 GB NVMe CPU: Intel Core i5-1345UE Connections: 2 x LAN, 1 x RS232/RS485, 2 x USB 3.0 (Type A), 1 x USB 3.0 Type C, DisplayPort External 110-240 VAC power supply Operating system: None	RSX2000-9R00100
	Memory	
	16 GB RAM / 512 GB SSD	RSX2000-0XXXXXX
	16 GB RAM / 1 TB SSD	RSX2000-EXXXXXX
	16 GB RAM / 2 TB SSD	RSX2000-FXXXXXX
	32 GB RAM / 256 GB SSD	RSX2000-GXXXXXX
	32 GB RAM / 512 GB SSD	RSX2000-BXXXXXX
	32 GB RAM / 1 TB SSD	RSX2000-CXXXXXX
	32 GB RAM / 2 TB SSD	RSX2000-HXXXXXX
	64 GB RAM / 512 GB SSD	RSX2000-JXXXXXX
	64 GB RAM / 1 TB SSD	RSX2000-KXXXXXX
	64 GB RAM / 2 TB SSD	RSX2000-FXXXXXX
	Operating System & Misc	
	Windows 11 Pro	RSX2000-XXXXXXP
	Windows 11 IoT Enterprise	RSX2000-XXXXXXX

Rugged. Protected. Resistant.



Care

Warranty extension

With Care, you can extend the statutory warranty up to 5 years, depending on the model, and benefit from our fast, professional service.



Premium Care

Warranty extension

For extended protection, PremiumCare provides additional, enhanced services such as free configuration support and support for user-induced software problems within 90 days.

Service tickets are handled with the highest priority so that you can get back to work as quickly as possible. If a hardware repair takes longer than 7 business days, you will receive an equivalent replacement device to tide you over.



Warranty Plus

Fully-Rugged-Garantie

With Warranty Plus, your product is fully protected.

It is your comprehensive insurance that also covers you against material damage caused by normal use, wear and tear, and accidents. Even theft and fire damage are covered by our warranty*.

If the device is lost or completely damaged, a complete replacement is possible.

* = Additional payment required

Order numbers

Item number	Description
SRV-RSX2000-C3NX	Warranty Extension 3 years
SRV-RSX2000-P3NX	Premium Care Support 3 years
SRV-RSX2000-W3NX	Warranty Plus 3 years
SRV-RSX2000-C5NX	Warranty Extension 5 years
SRV-RSX2000-P5NX	Premium Care Support 5 years
SRV-RSX2000-W5NX	Warranty Plus 5 years