



LAMP FLUSH SLIDING DOOR SYSTEM MFU1200 Two-way Damper NEW



	MFU1200-40	MFU1200-70
Width	800 - 1200 mm	
Height	Max. 2700 mm	
Thickness	30 - 40 mm	
Weight	20 - 40 kg	40 - 70 kg
Adjustment	Depth : ± 4 mm	
	Height : ± 4 mm	

Flush door system with 2-way damper, for doors up to 70kg.

- Doors will be flush with walls when closed.
- Door can be pushed open and no handle is necessary on the door front.
- The two-way damper allows doors to be both opened and closed softly.
- Limited number of parts for easy installation.
- Improved adjustments for a perfect result.
- No bottom rail or floor groove is necessary.

INSTRUCTION

Application

- Walk-in closets, hidden rooms, shop storage space.

Remarks

- MFU1200-R opens from right to left. MFU1200-L opens from left to right.
- The bottom bracket protrude from the door bottom. Make sure to leave enough clearance when opening the door.
- Installation positions and door workings have changed from the MFU-1000. Please make sure to download the latest installation instructions.

SELECTION GUIDE

LATERAL OPENING DOOR

HES CONCEALED HINGES

SWING DOOR

DOOR DAMPERS

DOOR STOPPERS

STACKABLE PARTITION DOOR

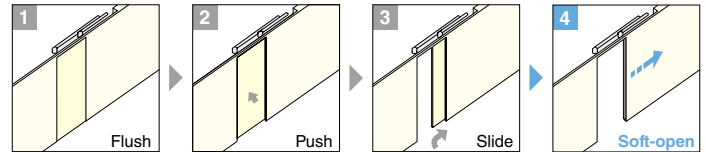
SLIDING DOOR

Black Parts

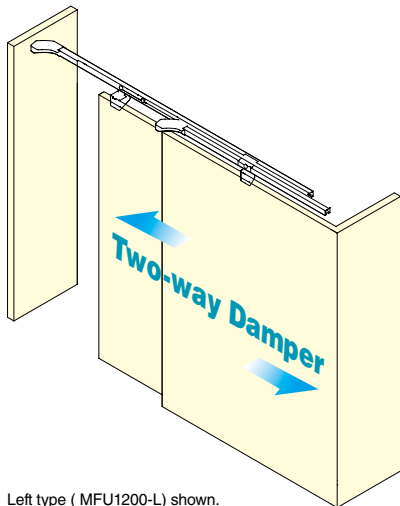


Opening Motion

No handle is needed on the door front for opening.



Two-way Damper

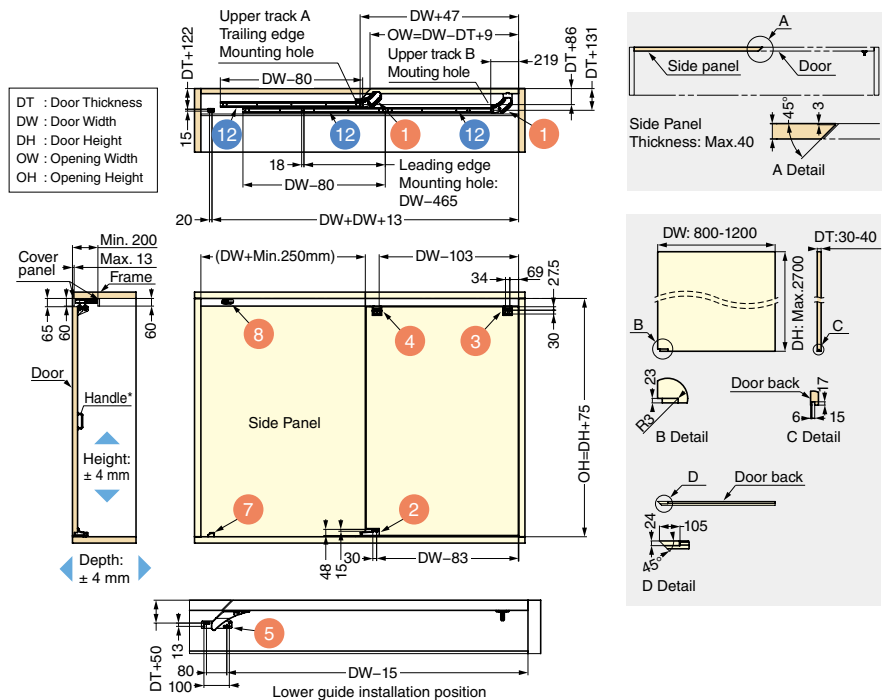


Left type (MFU1200-L) shown.

- Soft open and close.
- 100 mm long damper stroke.
- Light opening and closing force.

Installation Example

Left type (MFU1200-L) shown.



Circled number represents the part number in the parts table (P.527).

* Drawings are for a Left to Right opening (MFU1200-L). Right to Left opening (MFU1200-R) is symmetrically opposed.
 * The door cannot be opened from the inside without a handle (not included).

How to Order MFU1200 Two-way Damper

• Required Parts.....

Bracket Set +

Closer Set +

Rail Set

Bracket Set Required Parts

Set Name	Item Code	Item Name
Bracket set (L type)	250-047-832	MFU1200-L-BL
Bracket set (R type)	250-047-833	MFU1200-R-BL

Detail

No.	Qty	Part Name	Drawing (L type)	Description
1	2	Guiding track (top)		<ul style="list-style-type: none"> Material: aluminium alloy Finish: enamel / black
2	1	Guiding track (bottom)		<ul style="list-style-type: none"> Material: aluminium alloy Finish: enamel / black
3	1	Bracket (leading edge)		<ul style="list-style-type: none"> Material: steel Finish: enamel / black
4	1	Bracket (trailing edge)		<ul style="list-style-type: none"> Material: steel Finish: enamel / black
5	1	Bottom guide		<ul style="list-style-type: none"> Material: steel / POM Finish/Colour: electro-deposition / black
6	1	Connecting plate		<ul style="list-style-type: none"> Material: steel Finish: electro-deposition / black
7	1	Door stopper (floor)		<ul style="list-style-type: none"> Material: zinc alloy / elastomer Finish/Colour: chromate treatment (trivalent)/grey
8	1	Bumper block		<ul style="list-style-type: none"> Material: steel/elastomer Finish/Colour: chromate/grey
9	2	Trigger		<ul style="list-style-type: none"> Material: steel Finish: chromate treatment (trivalent)
10	1	Jig	Can be ordered separately	<ul style="list-style-type: none"> Item Code: 250-036-530 Item Name: FD80-TRJ Material: POM Colour: green

Closer Set Required Parts (Select One)

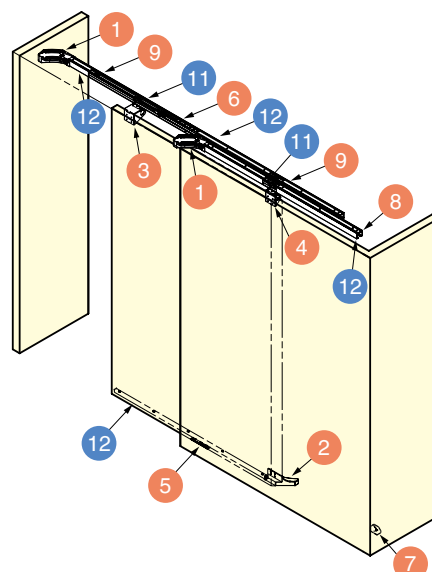
Select the appropriate part depending on door weight

No.	Type	Item Code	Part Name	Drawing	Description
11	Door Weight 20-40 (kg)	250-047-834	Soft closer (leading edge)		<ul style="list-style-type: none"> Material: steel/ POM Finish: electro-deposition / black
		Item Name MFU1200-40DSC-BL	1 pc		
11	Door Weight 40-70 (kg)	250-047-835	Door roller (trailing edge)		<ul style="list-style-type: none"> Material: steel Finish: electro-deposition / black
		Item Name MFU1200-70DSC-BL	1 pc		

Rail Set Required Parts

No.	Item Code	Part Name	Drawing	Description
12	250-047-836	Upper track A		<ul style="list-style-type: none"> Material: aluminium alloy Finish: black anodising + coating / clear
		Upper track B		
		Bottom track		

* Cut upper track A and bottom track according to the door size.



Left type (MFU1200-L) shown.