



HANGZHOU SHARP GARDEN MACHINERY CO.,LTD

ADD:No.1 Chaimei Road,Tonglu,Hangzhou,China

Email: admin@sharpgarden.com

www.sharpgarden.com

SUMO[®]

PETROL POST DRIVER

&

AUTOMATIC POST PULLER

INTRODUCTION	01
APPLICATIONS	02
POST DRIVER	03
POST DRIVER REGULAR SERIES	03
PD52	04
PD52X	05
REDUCE SLEEVES	06
POST DRIVER MASTER SERIES	08
PD82	09
PD82X	10
PD82XPM	11
REDUCE SLEEVES	12
POST DRIVER BEAST SERIES	14
PD136	15
PD136X	16
REDUCE SLEEVES	17
POST PULLER	19
ACCESSORIES	22
CUSTOMIZATION	33

INTRODUCTION

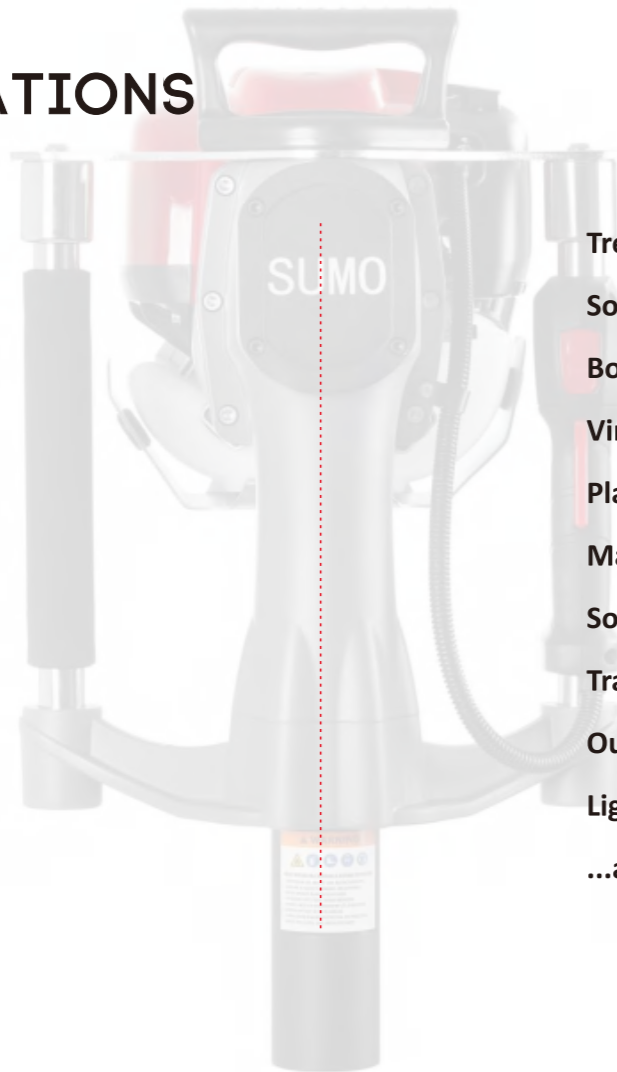
Hangzhou Sharp Garden Machinery Co., Ltd. founded in 2007 and based in Hangzhou City, China, has been a trusted manufacturer of high-performance garden and construction machine. With over a decade of experience we are specialized in producing hand-held petrol post drivers, automatic post pullers, and other essential equipment in fencing across a variety of industries.

Our products are marketed under our own brand, SUMO, which is synonymous with durability, innovation, and superior performance. Additionally, we provide OEM services, allowing us to deliver customized solutions tailored to the specific needs of our clients.

At Sharp Garden Machinery, we are committed to continuous research and development, consistently introducing new products to the market to meet the evolving demands of our customers. We strive to stay at the forefront of technology and innovation, ensuring that our equipment remains efficient, reliable, and up-to-date with industry trends.

APPLICATIONS

- Timber posts
- Metal posts
- Plastic posts
- Ciplex posts
- Scaffold poles
- Tent stakes
- Steel pipes
- U channel pipes
- Star picket posts
- Post replacement
- Wet ground
- Pheasant pens



- Tree support
- Soil sampling
- Bore holes
- Vineyards
- Plant growing
- Marine and Waterfront
- Solar Panel Mounting
- Traffic and Roadside
- Outdoor Events
- Light Construction
- ...and many more

POST DRIVER

POST DRIVER REGULAR SERIES

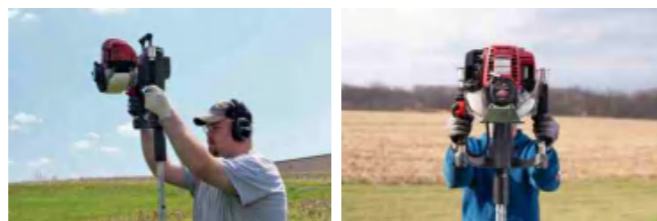




PD52 PARAMETER

- ✓ Honda GX35 Engine
- ✓ 2" barrel
- ✓ Accepts posts from 1/2" to 1-7/8" in diameter
- ✓ 1" adapter sleeve included for 3/4" to 1" posts
- ✓ 1720 BPM

ENGINE MODEL	Powered By HONDA GX35 ENGINE
ENGINE TYPE	4-Stroke, OHC, single cylinder
MAX POWER	1.3 hp (1.0 kw) at 7,000 rpm
OIL CAPACITY	3.4 US oz (100 cc)
FUEL TANK CAPACITY	0.65 L
FITTING RANGE	1~51mm Stake
IMPACT FREQUENCY	1.720 beats-per-minute(max)
IMPACT FORCE	11000N
N.W	15.2kg



PD52 X PARAMETER

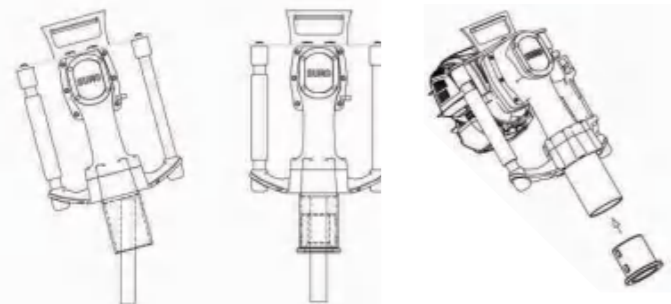
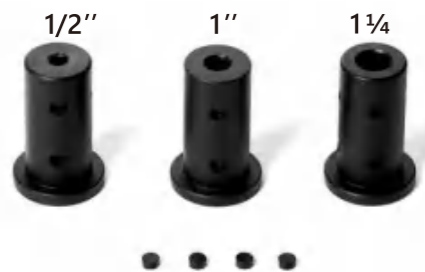
- ✓ Honda GX35 Engine
- ✓ 2" barrel
- ✓ Accepts posts from 1/2" to 1-7/8" in diameterV
- ✓ 1" adapter sleeve included for 3/4" to 1" posts
- ✓ 1720 BPM

ENGINE MODEL	Powered By HONDA GX35 ENGINE
ENGINE TYPE	4-Stroke, OHC, single cylinder
MAX POWER	1.3 hp (1.0 kw) at 7,000 rpm
OIL CAPACITY	3.4 US oz (100 cc)
FUEL TANK CAPACITY	0.65 L
FITTING RANGE	1~51mm Stake
IMPACT FREQUENCY	1.720 beats-per-minute(max)
IMPACT FORCE	11000N
N.W	15.8kg



REDUCE SLEEVE

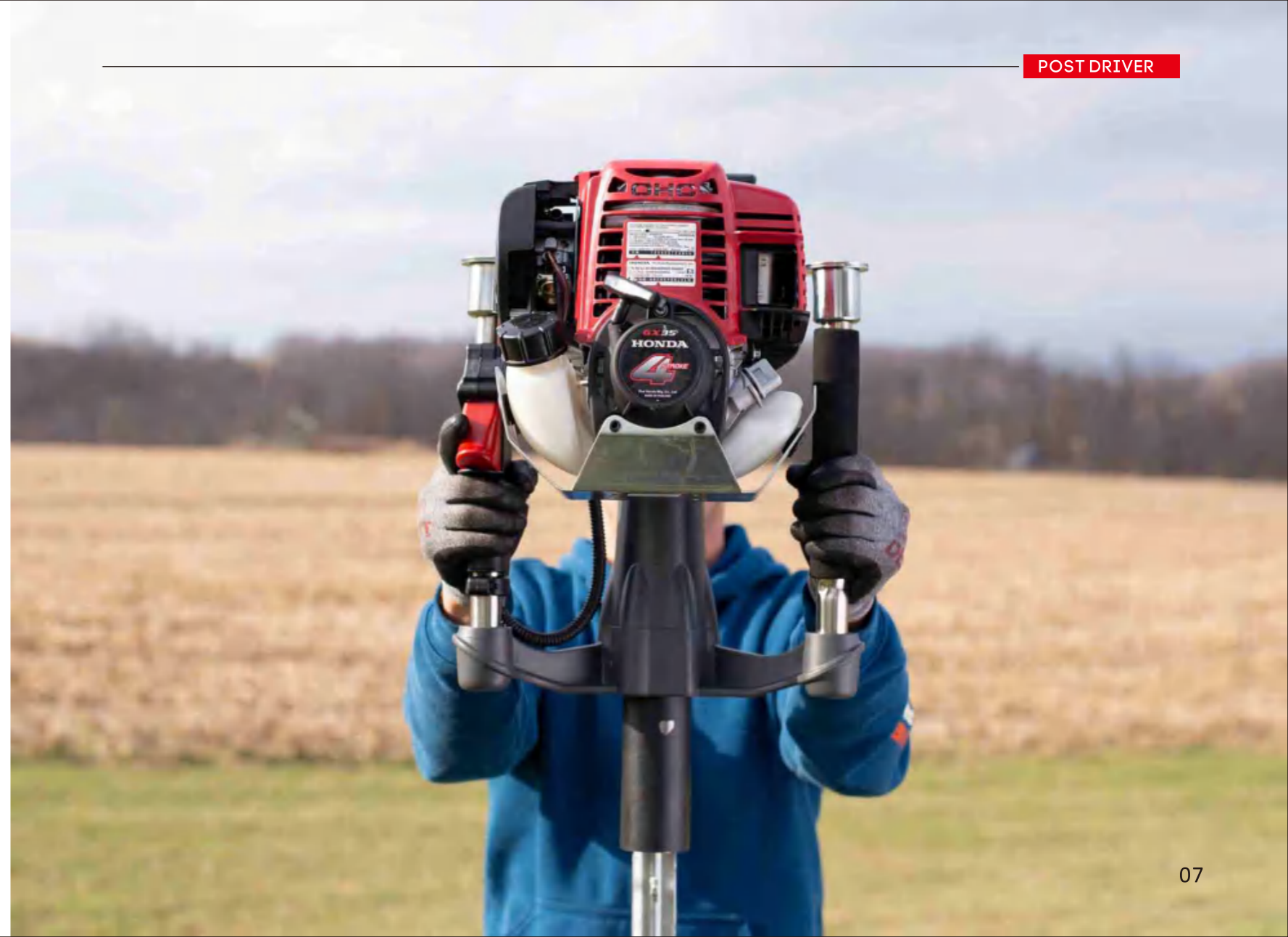
WORKS FOR PD52



WORKS FOR PD52X



ADAPTERS ALLOW YOUR STAKE DRIVER TO FIT STAKES OF DIFFERENT SIZE.



POST DRIVER MASTER SERIES



PD82 PARAMETER

- ✓ Honda GX35 Engine
- ✓ 3.25" barrel
- ✓ Accepts posts from 1/2" to 3-1/8" in diameter
- ✓ 2" adapter sleeve for less than 2" posts
- ✓ 1720 BPM

ENGINE MODEL	Powered By HONDA GX35 ENGINE
ENGINE TYPE	4-Stroke, OHC, single cylinder
MAX POWER	1.3 hp(1.0 kw) at 7,000 rpm
OIL CAPACITY	3.4 US oz(100 cc)
FUEL TANK CAPACITY	0.65 L
FITTING RANGE	1~82mm Stake
IMPACT FREQUENCY	1.720 beats-per-minute(max)☺
IMPACT FORCE	16300N
N.W	18.2kg



PD82X PARAMETER

- ✓ Honda GX35 Engine
- ✓ 3.25" barrel
- ✓ Accepts posts from 1/2" to 3-1/8" in diameter
- ✓ 2.25" adapter sleeve for less than 2.25" posts
- ✓ 1720 BPM

ENGINE MODEL	Powered By HONDA GX35 ENGINE
ENGINE TYPE	4-Stroke, OHC, single cylinder
MAX POWER	1.3 hp(1.0 kw) at 7,000 rpm
OIL CAPACITY	3.4 US oz (100 cc)
FUEL TANK CAPACITY	0.65 L
FITTING RANGE	1~82mm Stake
IMPACT FREQUENCY	1.720 beats-per-minute(max)
IMPACT FORCE	16300N
N.W	18.8kg



PD82XPM

THE NEWLY DESIGNED PD82XPM POST DRIVER IS TAILOR-MADE FOR INSTALLING U CHANNEL PILES. WITH OUR DRIVER CAP, USERS CAN EASILY ADJUST THE DIRECTION WHEN PILING.

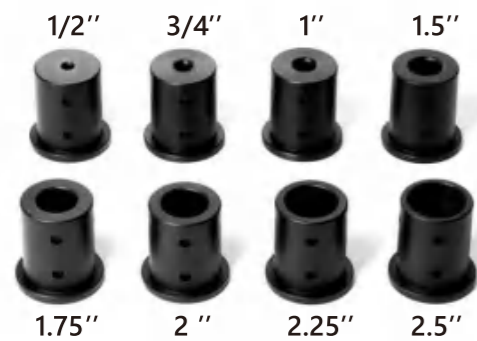
- ✓ Honda GX35 Engine
- ✓ 3.25" barrel
- ✓ Accepts posts from 1/2" to 3-1/8" in diameter
- ✓ 2.25" adapter sleeve for less than 2.25" posts
- ✓ 1720 BPM

ENGINE MODEL	Powered By HONDA GX35 ENGINE
ENGINE TYPE	4-Stroke, OHC, single cylinder
MAX POWER	1.3 hp(1.0 kw) at 7,000 rpm
OIL CAPACITY	3.4 US oz (100 cc)
FUEL TANK CAPACITY	0.65 L
FITTING RANGE	1~82mm Stake
IMPACT FREQUENCY	1.720 beats-per-minute(max)
IMPACT FORCE	16300N
N.W	18.8kg

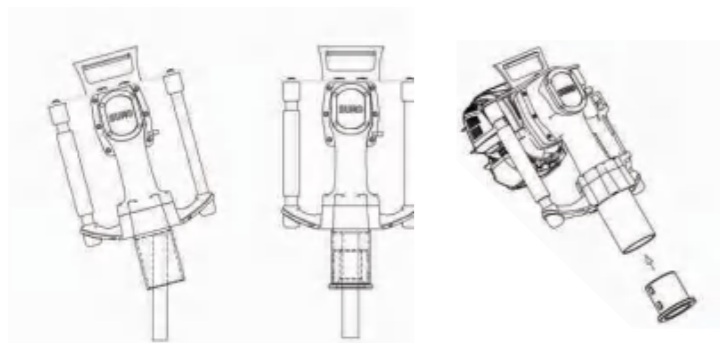
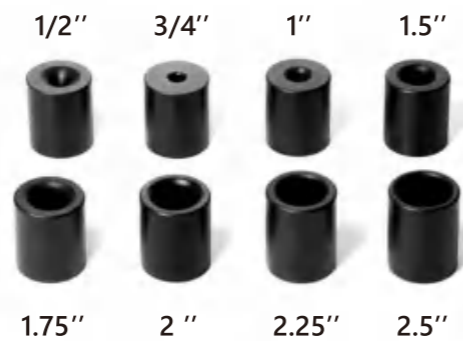


REDUCE SLEEVES

Works for PD82



Works for PD82X



ADAPTERS ALLOW YOUR STAKE DRIVER TO FIT STAKES OF DIFFERENT SIZE.



POST DRIVER BEAST SERIES



PD136



PD136X

PD136 PARAMETER

- ✓ Honda GX35 Engine
- ✓ 5.35" barrel
- ✓ Accepts posts from 1/2" -5 1/8" in diameter
- ✓ 1720 BPM

ENGINE MODEL	Powered By HONDA GX35 ENGINE
ENGINE TYPE	4-Stroke, OHC, single cylinder
MAX POWER	1.3 hp(1.0 kw) at 7,000 rpm
OIL CAPACITY	3.4 US oz (100 cc)
FUEL TANK CAPACITY	0.65 L
FITTING RANGE	1~136mm Stake
IMPACT FREQUENCY	1.720 beats-per-minute(max)
IMPACT FORCE	20000N
N.W	22kg





PD136X PARAMETER

- ✓ Honda GX35 Engine
- ✓ 5.35" barrel
- ✓ Accepts posts from 1/2" - 5 1/8" in diameter
- ✓ 1720 BPM

ENGINE MODEL	Powered By HONDA GX35 ENGINE
ENGINE TYPE	4-Stroke, OHC, single cylinder
MAX POWER	1.3 hp(1.0 kw) at 7,000 rpm
OIL CAPACITY	3.4 US oz (100 cc)
FUEL TANK CAPACITY	0.65 L
FITTING RANGE	1~136mm Stake
IMPACT FREQUENCY	1.720 beats-per-minute(max)
IMPACT FORCE	20000N
N.W	22kg

REDUCE SLEEVES (WORKS WITH BOTH PD136&PD136X)

ADAPTERS WORK WITH NEW COMING 122MM CHUCK TUBE. ONLY LOOSEN 3 BOLTS TO CHANGE FROM 136MM TO 122MM.



122mm-55mm



122mm-75mm



122mm-80mm



122mm-98mm



POST PULLER



ENGINE MODEL	Powered By HONDA GX35 ENGINE
ENGINE TYPE	4-Stroke, 0HC, single cylinder
MAX POWER	1.3 hp(1.0 kw) at 7,000 rpm
OIL CAPACITY	100 ml
FUEL TANKCAPACITY	0.65 L
SCOPE OF APPLICATION	Any material of stake/ 1-85mm
SAFE ENDURANCE STRENGTH OF TRANSMISSION CHAIN	30000N
ULTIMATE TENSILE STRENGTH	65000N(Based on in-house testing)
PULLER POWER	30000N(Theoretical value)
N.W	60 kg



BASIC CONFIGURATION

ITEM NAME	Qty
MAIN MACHINE	1
JAW 0-25MM	1
JAW 25-45MM	1
JAW 45-65MM	1
JAW 65-85MM	1
TENT STAKE ADAPTER FORKED JAW	1



ACCESSORIES

EXTENSION HANDLES



15"



30"



45"

COMPATIBLE WITH ALL X SERIES POST DRIVER

EXTENSION HANDLES



TOP THROTTLE HANDLE KIT

COMPATIBLE WITH ALL X SERIES POST DRIVER

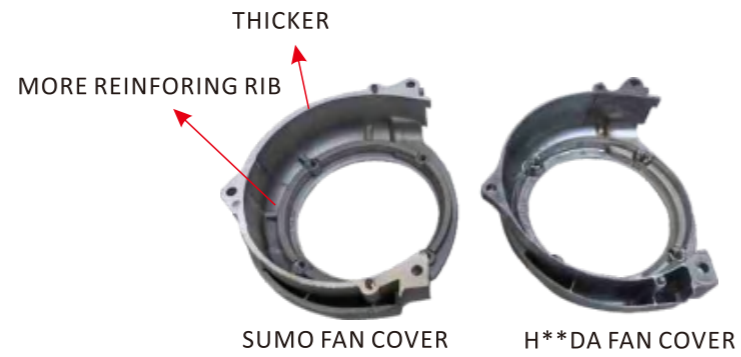


UPPER OR LOWER HANDLE KIT

FUEL TANK GUARD (PROTECT FUEL TANK DAMAGED DURING WORKING)



SUMO FAN COVER



DRIVER CAP 2.5" FOR TENT STAKE



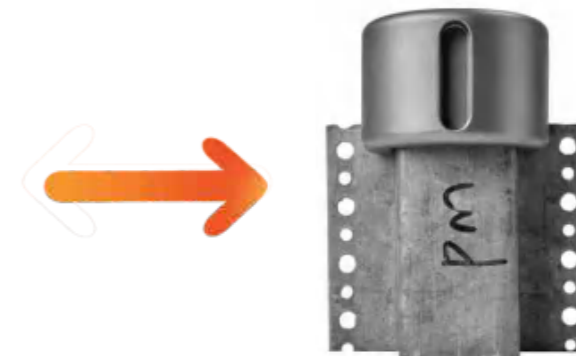
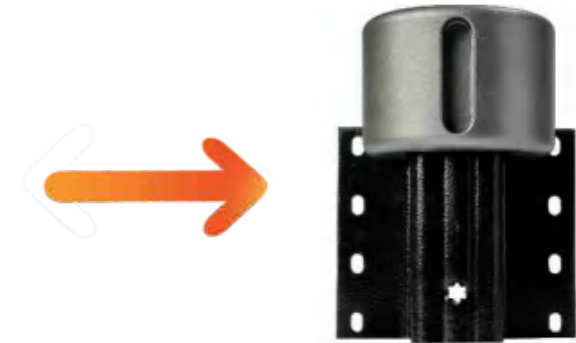
DRIVER CAPS



Front



Back



DRIVER CAPS



Front



Back



DRIVER CAPS



DRIVER CAPS



MOVING CART



MOVING CART



CARRY CASE



WHAT CAN BE PACKED IN THE CARRY CASE?

ITEM NAME	Qty
MAIN DRIVER	1
HEX KEY	3
MEASURING BOTTLE	1
ADAPTER	1



