



GENERAL BROCHURE
GENEL BROŞÜR

We Always Provide Reliability

Manufacturing is complicated but it is much more difficulty to provide simultaneously production and appropriate reliability. We carry out the most complicated process. Reliability, technology, durability, aesthetic, sensitivity and conformity are incorporated and have found in their reflection in all our production.

Her Zaman Güven Ürettik

Üretmek zordur, ürettiklerinle güveni aynı potada eritmek daha da zor. Biz dünyanın en zor işini yapıyoruz. Güveni, teknoloji, dayanıklılık, estetik, hassasiyet ve uyumla birleştirerek tüm ürünlerimize yansıtıyoruz.



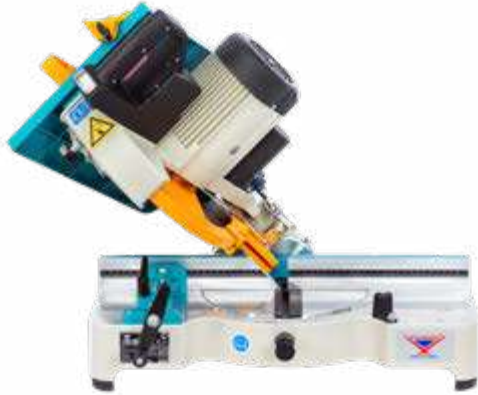


KD 250

Mitre Saw Machine
Dereceli Kesme Makinesi



Portable, Mechanic Clamp, Ø250 mm, Without Saw 230V
Portatif, Mekanik Mengene, Ø250 mm, Testeresiz, 230V



KY 250

Mitre Saw Machine
Dereceli Kesme Makinesi



Portable, Mechanic Clamp, Tilted, Ø250 mm, Without Saw, 230V
Portatif, Mekanik Mengene, Yatarlı, Ø250 mm, Testeresiz, 230V



KD 305

Mitre Saw Machine
Dereceli Kesme Makinesi



Portable, Mechanic Clamp, Ø300 mm, Without Saw, 230V
Portatif, Mekanik Mengene, Ø300 mm, Testeresiz, 230V



KY 305

Mitre Saw Machine
Dereceli Kesme Makinesi



Portable, Mechanic Clamp, Tilted, Ø300 mm, Without Saw, 230V
Portatif, Mekanik Mengene, Yatarlı, Ø300 m, Testeresiz, 230V



KD 310 B

Mitre Saw Machine
Dereceli Kesme Makinesi



Portable, Mechanic Clamp, Motor Brake System, Ergonomic Handle, Ø300 mm, Without Saw, 230V
Portatif, Mekanik Mengene, Frenli, Ergonomik Kol, Ø300 mm , Testeresiz, 230V



KY 310 B

Mitre Saw Machine
Dereceli Kesme Makinesi



Portable, Mechanical Clamp, Motor Brake System, Tilted, Ergonomic Handle, Ø300 mm, Without Saw, 230V
Portatif, Mekanik Mengene, Yatarlı, Frenli, Ergonomik Kol, Ø300 mm, Testeresiz, 230V



KD 350 M

Mitre Saw Machine
Dereceli Kesme Makinesi



Portatif, Mekanik Mengene, Ø350 mm Testereli, 400V
Portable, Mechanic Clamp, With Ø350 mm of Saw, 400V



KD 350 D

Mitre Saw Machine
Dereceli Kesme Makinesi



Mekanik Mengene, Sehpalı, Ø350 mm Testereli, 400V
Mechanic Clamp, With Ø350 mm of Saw, With Stand, 400V



KD 350 PS

Mitre Saw Machine
Dereceli Kesme Makinesi



Pneumatic Clamp, With Ø350 mm of Saw, With Stand, Cooling System, 400V
Pnömatik Mengene, Sehpalı, Ø350 mm Testereli, Soğutmalı, 400V



KD 400 M

Mitre Saw Machine
Dereceli Kesme Makinesi



Portable, Mechanic Clamp, With Ø400 mm of Saw, 400V
Portatif, Mekanik Mengene, Ø400 mm Testereli, 400V



KD 400 D

Mitre Saw Machine
Dereceli Kesme Makinesi



Mechanic Clamp, With Ø400 mm of Saw, With Stand, 400V
Mekanik Mengene, Sehpalı, Ø400 mm Testereli, 400V



KD 400 PS

Mitre Saw Machine
Dereceli Kesme Makinesi



Pneumatic Clamp, With Ø400 mm of Saw, With Stand, Cooling System, 400V
Pnömatik Mengene, Sehpalı, Ø400 mm Testereli, Soğutmalı, 400V



RYK 420 S RYK 420 W

Radial Saw Machine
Radyal Kesme Makinesi

Aluminium Radial Cutting, With Ø420 mm of Saw, Pneumatic Vertical Clamp, 400V

Alüminyum radyal kesim, Ø420 mm testereli, soğutmalı, pnömatik dikey mengene, 400V



MK 420

Manual Up-Cutting Saw Machine
Manuel Alttan Çıkma Kesme Makinesi

Manual, With 420 mm of Saw, With Stand, 230V

Manuel, Ø420 mm Testereli, Sehpalı, Soğutmalı, 230V



MK 420 PS

Manual Up-Cutting Saw Machine
Manuel Alttan Çıkma Kesme Makinesi

Manual, With 420 mm of Saw, With Stand, Cooling System, Vertical Clamp, CE Comformity, 400V

Manuel - Ø420 mm Testereli, Sehpalı, Soğutmalı, Dikey Mengeneli, CE Uyumlu, 400V





MK 450

Manual Up-Cutting Saw Machine
Manuel Altan Çıkma Kesme Makinesi



Manual, With 450 mm of Saw, With Stand, Cooling System, 230V
Manuel, Ø450 mm Testereli, Sehpalı, Soğutmalı, 230V



ACK 420 S

Up-Cutting Saw Machine
Altan Çıkma Kesme Makinesi



Semi-Automatic, Hydro-Pneumatic, 2,2 kW With Ø420 mm of
Saw, With 3 m of Conveyor, Cooling System, 400V

Yarı Otomatik, Hidro-Pnömatik, 2,2 kW Ø420 mm Testereli,
3 metre Konveyörlü, Soğutmalı, 400V



ACK 420 CE

Up-Cutting Saw Machine
Altan Çıkma Kesme Makinesi



Semi-Automatic, Hydro-Pneumatic, 2,2 kW With Ø420 mm of
Saw, With 3m of Conveyor, Cooling System, CE Comformity, 400V

Yarı Otomatik, Hidro-Pnömatik, 2,2 kW, Ø420 mm Testereli,
3 metre Konveyörlü, Soğutmalı, CE Uyumlu, 400V



ACK 550

Up-Cutting Saw Machine
Alttan Çıkma Kesme Makinesi



Semi-Automatic, Hydro-Pneumatic, 4 kW, With Ø500 mm of Saw, Cooling System, Vertical Clamps, Left Horizontal Clamp, With 3 meters of conveyor, 400V

Yarı Otomatik, Hidro-Pnömatik, 4 kW, Ø550 mm Testere, Dikey mgeneler ve Sol Yatay Mengene, 3 metre Konveyörlü, Soğutmalı, 400V



ACK 700

Up-Cutting Saw Machine
Alttan Çıkma Kesme Makinesi



Semi-Automatic, Hydro-Pneumatic, 4 kW, With Ø700 mm of Saw, Vertical Clamps, Right/Left Horizontal Clamps, Cooling System, With 3 meters of conveyor, 400V

Yarı Otomatik, Hidro-Pnömatik, 4kW, Ø700 mm Testere, Dikey Mengener ve sağ/sol Yatay Mengene, 3 metre Konveyörlü, Soğutmalı, 400V

SCM 420 L4 SCM 420 L7

Servo Controlled Serial Cutting Machine
Servo Kontrollü Seri Kesim Makinesi



Automatic, Hydro-Pneumatic, With Ø420 mm of Saw, 4 - 7 meters of Length Stop, Cooling System, 400V

Otomatik, Hidro-Pnömatik, Ø420 mm. Testere, 4 - 7 metre Konveyör, Soğutma Sistemi, 400V





SK 400

Automatic Profile Slicing Machine
Otomatik Profil Dilimleme Makinesi



With Ø400 mm of Saw, With 3 meter of Conveyor, Cooling System, 400V
Ø400 mm. Testere, Püskürtmeli Testere Soğutma Sistemi, 3 metre Konveyör, 400V



SK 500

Automatic Profile Slicing Machine
Otomatik Profil Dilimleme Makinesi



Servo Controlled, With Ø500 mm of Saw, With 2.5 m of Conveyor, Cooling System, 400V

Servo Kontrollü, Ø500 mm Testere, 2.5 metre Konveyör, Soğutmalı, 400V



SK 500 D

Automatic Profile Slicing and Drilling Machine
Otomatik Profile Dilimleme ve Delik Delme Makinesi



Servo Controlled, With Drilling Unit, With Ø500 mm of Saw, With 2.5 m of Conveyor, Cooling System, 400V

Servo Kontrollü, Delik Delme Ünitesi, Ø500 mm. Testere, 2.5 metre Konveyör, Soğutmalı, 400V



CK 412

PVC Glazing Bead Saw
PVC Çıta Kesme Makinesi



Automatic, With Digital Measuring Unit, With Mould System, 400V
Otomatik, Dijital Ölçü Alma Cihazı, Özel Kalıp Sistemli, 400V



SDT 275

Reinforcement Steel and Square Profile
Cutting Saw

Destek Sacı ve Kare Profil Kesme Makinesi



Manual, With Stand, With Ø275 mm of Saw, 400V
Mekanik, Sehpalı, Ø275 mm Testereli, 400V



SDT 280

Semi-Automatic Reinforcement Steel and
Profile Multi Cutting Machine

Yarı-Otomatik Çoklu Destek Sacı ve Profil Kesme
Makinesi

Multiple Bundle Cutting, Hydraulic Vertical Clamp, Semi-Automatic
Bant Saw, Cooling System, With 3 meter of Conveyor, 400V

Çoklu Kesme, Hidrolik Üst Baskı, Yarı-Otomatik Şerit Testereli,
Soğutma Sistemi, 3 metre Rulo Sehpa, 400V





VK 420

V Cutting & 90° End Notching Machine
V Kesme & 90° Kertme Makinesi



V Cutting & 90° End Notching Machine
V Kesme ve 90° Kertme Makinesi



KD 402 S

Double Head Mitre Saw Machine
Çift Kafa Kesme Makinesi



With Ø400 mm of Saw, With Digital Display, CE, 400V
Ø400 mm Testereli, Dijital Okuyucu, CE, 400V



DC 421 MS

Double Head Mitre Saw Machine
Çift Kafa Kesme Makinesi



Cross Cut, With Ø420 mm of Saw, Semi-Automatic, With Digital Display, Cooling System, 400V

Karşıdan Gelme, Ø420 mm Testereli, Yarı-Otomatik, Dijital Okuyucu, Soğutmalı, 400V



DC 421 PSD

Full Automatic Double Head Mitre Saw Machine
Tam Otomatik Çift Kafa Kesme Makinesi



Cross Cut, With Ø420 mm of Saw, Automatic, Operator Panel Controller, Cooling System, 400V
Karşidan Gelme, Ø420 mm Testereli, Otomatik, Operatör Paneli, Soğutmalı, 400V



DC 421 PBS

Full Automatic Double Head Mitre Saw Machine
Tam Otomatik Çift Kafa Kesme Makinesi



Cross Cut, With Ø420 mm of Saw, Automatic, PC Computerized, Barcode Printer, Cooling System, 400V
Karşidan Gelme, Ø420 mm Testereli, Otomatik, Bilgisayar Kontrollü, Barkod Yazıcı, Soğutmalı, 400V

CDC 600

Full Automatic Double Head Compound Cutting Machine
Bileşik Açılı Otomatik Çift Kafa Kesme Makinesi



Pivoting and Tilting Saw Mechanism, Up-Cutting, Servo Controlled, PC Computerized, With Ø600 mm of Saws, Barcode Printer, Cooling System, 400V
Döner ve Yatar Testere Mekanizması, Alttan Çıkma, Ø600 mm Testereli, Servo Kontrollü, Bilgisayar Kontrollü, Barkod Yazıcı, Soğutmalı, 400V



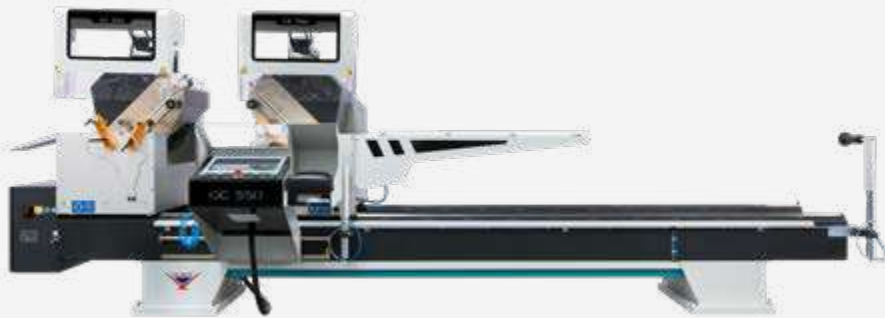


DC 550 PB

Full Automatic Double Head Mitre Saw Machine
Tam Otomatik Çift Kafa Kesme Makinesi



Cross Cut, With Ø550 mm of Saw, PC Computerized, Barcode Printer, Cooling System, 400V
Karşidan Gelme, Ø550 mm Testereli, Barkod Yazıcı, Bilgisayar Kontrollü, Soğutmalı, 400V

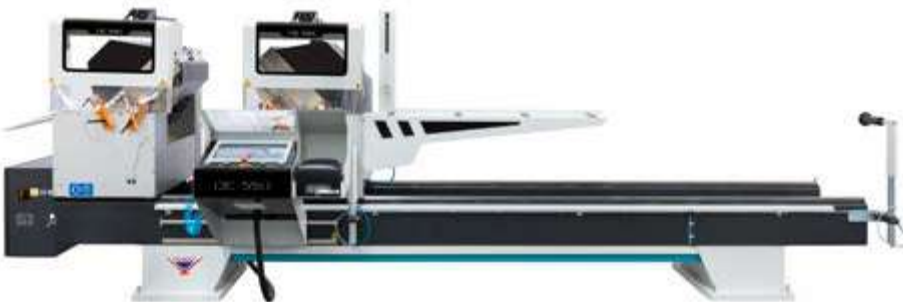


DC 550 SK

Full Automatic Double Head Mitre Saw Machine
Tam Otomatik Çift Kafa Kesme Makinesi



Cross Cut, Servo Controlled, PC Computerized, With Ø550 mm of Saw, Barcode Printer, Cooling System, 400V
Karşidan Gelme, Ø550 mm Testereli, Servo Kontrollü, Bilgisayar Kontrollü, Barkod Yazıcı, Soğutmalı, 400V



DC 550 SKH

Full Automatic Double Head Mitre Saw Machine
Tam Otomatik Çift Kafa Kesme Makinesi



Cross Cut, Servo Controlled, PC Computerized, With Ø550 mm of Saw, Barcode Printer, Profile Height Measurement System, Cooling System, 400V
Karşidan Gelme, Ø550 mm Testereli, Barkod Yazıcı, Servo Kontrollü, Bilgisayar Kontrollü, Soğutmalı, Profil Yükseklik Ölçme Sistemi, 400V



SM 201

Single Head Reinforcement Steel Screwdriver
Tek Kafa Destek Sacı Vidalama Ünitesi



Semi-Automatic, Single Head, Vertical, With Stand
Yarı-Otomatik, Tek Kafa, Dikey, Sehpalı



SM 206

Full Automatic Double Head Reinforcement Steel
Screwdriver
Tam Otomatik Çift Kafa Destek Sacı Vidalama
Makinesi



Automatic, Double Head, Loading and Unloading Stations
Çift Kafa, Otomatik, Besleme ve Boşaltma Sehpalı

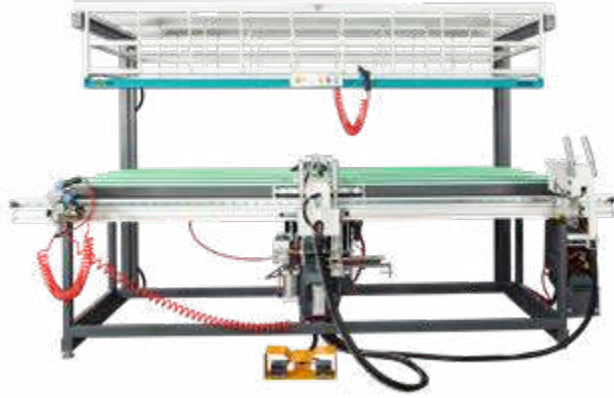


SM 1000

Full Automatic Double Head Reinforcement
Steel Screwdriver
Tam Otomatik Çift Kafa Destek Sacı Vidalama
Makinesi



Double Head, Automatic, Servo Controlled, Operator Control Panel,
Feeding and Unloading Stations
Çift Kafa, Otomatik, Servo Kontrollü, Operatör Kontrol Panelli,
Besleme ve Depolama İstasyonlu



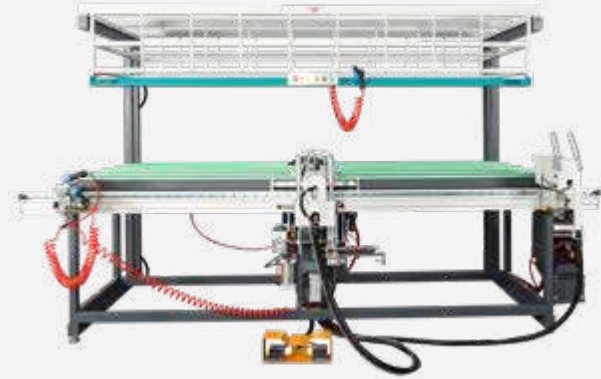
NSM 352 - NSM 352 A

Sash Assembly Station
Kanat Toplama Merkezi



With Template, Automatic Centering, Shear Cutting, Punching, Hinge Hole Drilling and Screwing, Laser Pointer, Corner Element Hanger (A-H-E)

Şablonlu, Otomatik Merkezleme, Makas Kesim Panç, Menteşe Delme ve Vidalama, Lazer İşaretleme, Köşe Dönüş Asma Aparatlı



NSM 353 - NSM 353 A

Sash Assembly Station
Kanat Toplama Merkezi



With Template, Automatic Centering, Shear Cutting, Punching, Hinge Hole Drilling and Screwing, Lazer Pointer, Corner Element Hanger, Cutter for Espagnolette Channel, Tripple Handle Hole Drilling (A-H-E-T-B)

Şablonlu, Otomatik Merkezleme, Makas Kesim, Panç, Menteşe Delme ve Vidalama, Lazer İşaretleme, Köşe Dönüş Asma Aparatlı, İspanyolet Frezesi, Üçlü Kolyeri Delme



CNC 609 - 611

PVC Corner Cleaning Machine
PVC Köşe Temizleme Makinesi



2 - 4 pc. of Servo Motors
2 - 4 ad. of Servo Motor



DLG 200 - 300

Digital Length Gauge
Dijital Boy Ölçme Cihazı



2 m - 3 m of Length, With Digital Display
2 m - 3 m Dijital Ekran



MS

Machine Stand
Makine Sehpası

Machine Stand For KD 305 / KY 305 / KD 350 / KD 400 / KM 212 -
FR 222 / FR 223

KD 305 / KY 305 / KD 350 / KD 400 / KM 212 / FR 222 / FR 223 için



TK 503

Single Corner PVC Welding Machine
PVC Tek Köşe Kaynak Makinesi



Portable, 30° - 180° Welding Angle, 165 mm of Welding Height, 0,2
mm or 2.0 mm Welding Options, 230V

Portatif, 30° - 180° Kaynak Aralığı, 165 mm Kaynak Yüksekliği, 0,2
mm veya 2.0 mm Kaynak Özelliği, 230V



TK 505

Single Corner PVC Welding Machine
PVC Tek Köşe Kaynak Makinesi



30° - 180° Welding Angle, 180 mm of Welding Height, 0,2 mm or 2.0 mm Welding Options, 230V
30° - 180° Kaynak Aralığı, 180 mm Kaynak Yüksekliği, 0,2 mm veya 2.0 mm Kaynak Özelliği, 230V



CA 601

Semi-Automatic PVC Corner Cleaning Machine
Yarı-Otomatik PVC Köşe Temizleme Makinesi



Semi-Automatic, Quick Change of Cutter Set , Without Cutters, 400V
Yarı-Otomatik, Seri Bıçak Değiştirmeli, Bıçaksız, 400V



CA 603

PVC Corner Cleaning Machine (4 Cutters)
PVC Köşe Temizleme Makinesi (4 Bıçaklı)



4 pcs of Cutter Set Capacity, Without Cutters, 400V
4 Takım Bıçak Kapasiteli, Bıçaksız, 400V



DK 502

Double Corner PVC Welding Machine

PVC Çift Köşe Kaynak Makinesi



Double Head, 180 mm of Welding Height, 0,2 mm or 2.0 mm Welding Options, CE, 230V

Çift Kafalı Kaynak, 30° - 180° Kaynak Aralığı, 180 mm Kaynak Yüksekliği, 0,2 mm veya 2 mm Kaynak Özelliği, CE, 230V



SNM 560 M

Manual Aluminium Facade Notching Machine

Manuel Alüminyum Cephe Kertme Makinesi



Manual Controlled, Digital Displays for Angles, With Ø500 (horizontal) and Ø550 mm (vertical) of Saws, Cooling System, Max. Clamping Capacity: H:240 mm - W:140 mm, Max. Notching Capacity: H:205 mm - W:185 mm

Manuel, Yatay Ø500 ve Dikey Ø500 Testereler, Soğutmalı, İşlenebilen Maksimum Profil: H:240 x W:140 mm, Maks. Kertme Kapasitesi H:205 mm - W:185 mm



SNM 560 SRV

Servo Controlled Aluminium Facade Notching Machine

Servo Kontrollü Alüminyum Cephe Kertme Makinesi



Servo Controlled, With Ø500 (horizontal) and Ø550 mm (vertical) of Saw, Cooling System, Max. Clamping Capacity: H:240 mm - W:140 mm Max. Notching Capacity: H:205 mm - W:185 mm

Servo Kontrollü, Yatay Ø500 ve Dikey Ø500 Testereler, Soğutmalı, İşlenebilen Maks. Profil Ölçüleri: H:240 x W:140 mm, Maks. Kertme Ölçüleri: H:205 mm - W:185 mm



KM 212

Portable End-Milling Machine

Portatif Orta Kayıt Alıştırma Makinesi



Portable, Manual, Mechanical Clamp, Without Cutters, 230V

Portatif, Manuel, Mekanik Mengeneli, Bıçaksız, 230V



KM 211 S

Manual End-Milling Machine

Manuel Orta Kayıt Alıştırma Makinesi



Manual, Pneumatic Calmps, Cooling System, Without Cutters, (230V- 400V)

Manuel, Pnömatik Mengeneli, Soğutmalı, Bıçaksız (230V- 400V)



KM 215 S

Semi-Automatic End-Milling Machine

Orta Kayıt Alıştırma Makinesi



Semi-Automatic, Pneumatic Clamps, Angle Adjustment, Quick Change of Cutter Set, Without Cutter, Cooling System, (230V- 400V)

Yarı Otomatik, Pnömatik Mengeneli, Açık Ayarlı, Seri Bıçak Değiştirmeli, Soğutmalı, Bıçaksız, (230V - 400V)



FR 222

Portable Template Copy Router
Portatif Kopya Freze Makinesi



Portable, Mechanic Clamps, 230V
Portatif, Mekanik Mungeneli, 230V



FR 223

Portable Template Copy Router
Portatif Kopya Freze Makinesi



Portable, Mechanic Clamps, AC Motor, 230V
Portatif, Mekanik Mungeneli, AC Motor, 230V



MEM 128

Semi-Automatic Multiple End-Milling Machine
Yarı-Otomatik Çoklu Orta Kayıt Alıştırma Makinesi



90° of Multiple End Milling, Cooling System, Vertical and
Horizontal Clamps, CE

Çoklu Profil Kertme 90°, Soğutmalı, Yatay ve Dikey
Mengeneler, CE



FR 221 S

Pneumatic Template Copy Router
Pnömatik Kopya Freze Makinesi



Pneumatic Clamps, Cooling System, 230V- 400V
Pnömatik Mengeneli, Soğutmalı, 230V - 400V



FR 223 S

Template Copy Router
Kopya Freze Makinesi



Portable, Mechanic Clamps, AC Motor, Cooling System, 230V
Portatif, Mekanik Mengeneli, AC Motor, Soğutmalı, 230V

23



FR 225 S

Template Copy Router with Triple Hole Drill
Üçlü Kol Yeri Delmeli Kopya Freze Makinesi



Manuel, Triple Spindle Drill, 900 RPM, Cooling System, 400V
Manuel, Üçlü Kol Yeri Delmeli, 900 d/dk., Soğutmalı, 400V



FR 226 S

Automatic Copy Router with Triple Hole Drill
Otomatik Üçlü Kol Yeri Delmeli Kopya Freze



Manuel, Triple Spindle Drill, 900 RPM, Cooling System, 400V
Otomatik, Üçlü Kol Yeri Delmeli, 900 d/dk., Soğutmalı, 400V



NCR 200

3 Axis Numerical Controlled (NC) Router Machine
3 Eksen Numerik Kontrollü (NC) Freze Makinesi



3 Axis, NC Controlled, with Programmable Ready Macros, Horizontal and Vertical Clamps, Cooling System, Ø8 mm of Cutter Bit, 400V
3 Eksen, NC Kontrollü, Programlanabilir Hazır Makrolu, Yatay ve Dikey Mengeneli, Takım Soğutma, Ø8 mm freze, 400V



NCR 300

4 Axis Numerical Controlled (NC) Router Machine
4 Eksen Numerik Kontrollü (NC) Freze Makinesi



4 Axis, NC Controlled, with Programmable Ready Macros, Horizontal and Vertical Clamps, Cooling System, Ø8 mm of Cutter Bit, 400V
4 Eksen, NC Kontrollü, Programlanabilir Hazır Makrolu, Yatay ve Dikey Mengeneli, Takım Soğutma, Ø8 mm freze, 400V



CRM 250 S

3 Spindle Copy Router Machine
Üç Motorlu Kopya Freze Makinesi



3x High Frequency Motors, Cooling System, 2x Template, 230V
3x Frekans Motorlu, Soğutmalı, 2x Şablonlu, 230V



ST 264 - 264 CE

Automatic PVC Water Slot Machine
Otomatik PVC Su Tahliye Makinesi



Frequency Controlled Motors, 230V
Frekans Kontrollü Motor, 230V

Frequency Controlled Motors, Safety Kit, 230V
Frekans Kontrollü Motor, Güvenlik Kitli, 230V

25



CRM 201 S

Copy Router With Triple Hole & Water Slot Drilling
Freze, Üçlü Kol Yeri Delme ve Su Tahliye



Copy Router, Triple Hole and Water Slot Drilling, Horizontal and Vertical
Pneumatic Clamps, Cooling System, High Frequency Motor, Ø5 Cutter Bit, 230V

Pnömatik Mengeneli, Soğutmalı, Yüksek Frekans Motorlu, Ø5 Freze,
Otomatik Üçlü Kol Yeri Delme, Su Tahliye, 230V



KP 110

Pneumatic Aluminium Corner Crimping Machine
Pnömatik Alüminyum Köşe Birleştirme Presi



Pneumatic Press, Clamping Capacity H:120 mm
Pnömatik Pres, Mengene Kapasitesi H:120 mm



KP 120

Hydraulic Aluminium Corner Crimping Machine
Hidrolik Alüminyum Köşe Birleştirme Presi



Hydraulic Press, Clamping Capacity H:130 mm, 400V
Hidrolik Pres, Mengene Kapasitesi H:130 mm, 400V

Hydraulic Press, Clamping Capacity H:180 mm, 400V
Hidrolik Pres, Mengene Kapasitesi H:180 mm, 400V



KP 130 CNC

CNC Automatic Corner Crimping Machine
CNC Otomatik Köşe Presi



CNC Controlled, Clamping Capacity H:120 mm, 220-230V
CNC Kontrollü, Mengene Kapasitesi H:120 mm , 220-230V



PYE 101-102-103-104

Manual Punch Press
Manuel Panç Pres



Corner Punch Press
Köşe Delme Presi

CPM 4150 S

Composite Panel Processing Machine
Kompozit Panel İşleme Merkezi

1.600 x 4.100 mm Net Machining Capacity, CNC Controller, Manuel
Vacum Controller, 400V

1.600 x 4.100 mm Net İşleme Ölçüsü, CNC Kontrol, Manuel Vakum
Kontrol, 400V



CPM 4200

Composite Panel Processing Machine
Kompozit Panel İşleme Merkezi

2.000 x 4.100 mm Net Machining Capacity, CNC Controller

2.000 x 4.100 mm Net İşleme Ölçüsü, CNC Kontrol





CPM 6161

Composite Panel Processing Machine
Kompozit Panel İşleme Merkezi



1.600 x 6.650 mm Net Machining Capacity, Automatic Vacuum Controller, Double Station, 400V

1.600 x 6.650 mm Net İşleme Ölçüsü, CNC Kontrol, Otomatik Vakum Kontrollü, Çift İstasyon Çalışma, 400V

PCC 6505

Profile Cutting Center
Profil Kesme Merkezi



PVC and ALU Profile Cutting Center, 5 Axis CNC Control System, Ø500 mm of Saw, Cooling System, 230 / 400V

PVC ve Alüminyum Profil Kesme Merkezi, 5 Eksen CNC Kontrol Sistemi, Ø500 mm Testere, Soğutmalı, 230 / 400V

PIM 6508

PVC Profile Machining & Cutting Center
PVC Profil İşleme ve Kesme Merkezi



8 Axis CNC Control System, Windows Based Touchscreen PC, Ø500 mm of Saw

8 Eksen, CNC Kontrol Sistem, Windows Tabanlı Dokunmatik PC Ekran, Ø500 mm Testere





PIM 6509

PVC Profile Machining & Cutting Center
PVC Profil İşleme ve Kesme Merkezi



8 Axis CNC Control System, Windows Based Touchscreen PC, Ø550 mm of Saw
8 Eksen CNC Kontrol Sistem, Windows Tabanlı Dokunmatik PC Ekran,
Ø550 mm Testere



ALM 6510

Aluminium Profile Machining and Cutting Center
Alüminyum Profile İşleme ve Kesim Merkezi



8 Axis CNC Control System, Windows Based Touchscreen PC, Ø550 mm of Saw, Barcode Printer, Cooling System, Automatic Lubrication, 400V

8 Eksen CNC Kontrol Sistem, Windows Tabanlı Dokunmatik PC Ekran, Ø550 mm Testere, Barkod Yazıcı, Soğutmalı, Otomatik Yağlama, 400V



AIM 4420

Aluminium Profile Machining Center
Alüminyum Profil İşlem Merkezi



4 Axis, 4.020 mm of Machining Capacity, B&R CNC Automation, CAMPROX®Cam Quix 4-Axis Software

4 Eksen, 4.020 mm İşleme Kapasitesi, CNC Kontrol, CAMPROX Cam Quix 4-Eksen Yazılım



AIM 4420 T

Aluminium Profile Machining Center
Alüminyum Profil İşlem Merkezi



4 Axis, 4.020 mm of Machining Capacity, B&R CNC Automation, CAMPROX®Cam Quix 4-Axis Software, Rigid Taping Feature
4 Eksen, 4.020 mm işleme kapasitesi, CNC Kontrol, CAMPROX Cam Quix 4-Eksen Yazılım, Enkoderli Motor ile Kılavuz Çekme Özellikli



AIM 7420

Aluminium Profile Machining Center
Alüminyum Profil İşlem Merkezi



4 Axis, 4.020mm of Machining Capacity, B&R CNC Automation, CAMPROX®Cam Quix 4-Axis Software
4 Eksen, 7.020 mm İşleme Kapasitesi, CNC Kontrol, CAMPROX Cam Quix 4-Eksen Yazılım



AIM 7420 T

Aluminium Profile Machining Center
Alüminyum Profil İşlem Merkezi



4 Axis, 7.020 mm of Machining Capacity, B&R CNC Automation, CAMPROX®Cam Quix 4-Axis Software, Rigid Taping Feature
4 Eksen, 7.020 mm İşleme Kapasitesi, CNC Kontrol, CAMPROX Cam Quix 4-Eksen Yazılım, Enkoderli Motor ile Kılavuz Çekme Özellikli



AIM 7510

Aluminium Profile Machining Center
Alüminyum Profil İşlem Merkezi



5 Axis, 7120 mm of Machining Capacity, DELTA CNC Automation,
CAMPROX®Cam Quix 5-Axis Software
5 Eksen, 7120 mm İşleme Kapasitesi, DELTA CNC Otomasyon,
CAMPROX Cam Quix 5-Eksen Yazılım

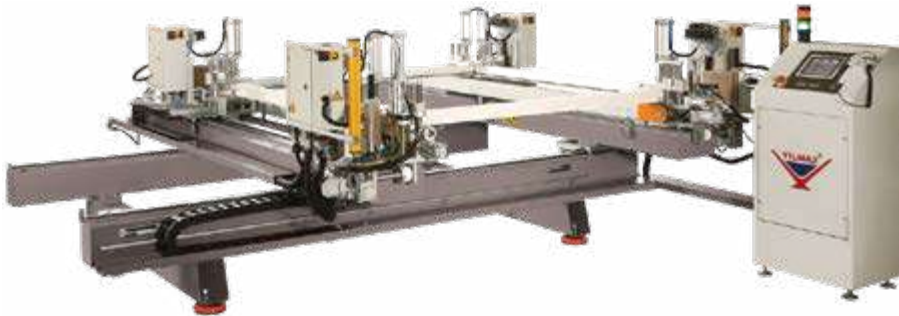


AIM 3410

Aluminium Profile Machining Center
Alüminyum Profil İşlem Merkezi



4 Axis, 3.200 mm of Machining Capacity, Delta CNC Automation,
CAM Software for 4-Axis Movement
4 Eksen, 3.200 mm İşleme Kapasitesi, Delta CNC Kontrol, 4 Eksen
CAM Yazılım



DK 540

Four Corner PVC Welding Machine
Dört Köşe PVC Kaynak Makinesi



Four Head, 180 mm of Welding Height, Automatic Setting of 0.2 - 2.0 mm Welding
4 Köşe Kaynak Makinesi, H 180 mm Kaynak Yüksekliği, 0.2 mm veya 2.0 mm için
Otomatik Geçiş Özelliği



CCL 1661

PVC Welding and Corner Cleaning Line
PVC Kaynak ve Köşe Temizleme Hattı



DK 540 - CS 240 - SA 251 - SA 261 - CNC 609 R



CS 240

Gasket Pressing System
Conta Baskı Sistemi



For DK 540
DK 540 için



SA 251

Cooling Station
Soğutma İstasyonu





SA 255

Window Buffer Station
Yedek Çerçeve Bekleme İstasyonu



SA 261

Robotized Rotating System
Profil Çevirme Robotu



DKN 302 - 602

Roller Conveyor
Konveyör



3.0 and 6.0 meter, Hand Wheel Controller, Digital Display, Pneumatic Brake System

3.0 ve 6.0 metre, Volantlı, Manuel Kontrollü, Dijital Göstergeli, Pnömatik Frenlemeli



SKN 300 - 600

Roller Conveyor
Konveyör



3.0 and 6.0 meter, Computerized, ± 0.2 mm Positioning Accuracy

3.0 ve 6.0 metre, Bilgisayar Kontrollü, ± 0.2 mm Pozisyonlama Hassasiyetli



SKN 301

Roller Conveyor
Konveyör



3.0 meter, PLC Controlled, Touch Screen, For CK 412, 1.5 m
Digital Measuring Unit

3.0 metre, PLC Kontrollü, Dokunmatik Ekranlı, CK 412 için, 1.5 m
Dijital Ölçü Alma Aparatı



MKN 150-151-300-301-302

Roller Conveyor
Konveyör



1.5 and 3.0 meter, Mechanical, Manual Stop

1.5 ve 3.0 metre, Mekanik, Manuel Dayama



HDL 400 - 700

Roller Conveyor
Konveyör



4.0 and 7.0 meter, Automatic Length Stop, Servo Controlled, Touch Screen, CSV Data Transfer

4.0 ve 7.0 metre, Otomatik Dayama, Servo Kontrollü, Dokunmatik Ekran, CSV Veri Aktarmalı



WB 4000

Work Bench
Montaj Masası



Work Bench, Telescopic Feature, Plastic Feet, Rubber Covered Surfaces

Montaj Masası, Teleskobik Özellikli, Plastik Ayaklı, Çizilmeye Karşı Contalı Yüzeyler



GPT 1000

Glass & Profile Trolley
Pencere Taşıma Arabası



Glass & Profile Trolley, Swivel Wheels, Special Paint Againsts Scratches

Cam ve Pencere Taşıma Arabası, Döner Tekerlekli, Çizilmeye Korunmalı Yüzeyler



HP 1000

Horizontal Profile Trolley

Yatay Profil Taşıma Arabası



Horizontal Profile Trolley, Special Paint Againsts Scratches, Double Sided, Swivel Wheels

Yatay Profil Taşıma Arabası, Çizilmeye Korunmalı Yüzeyler, Çift Yönlü, Döner Tekerlekli



RS 1000

Profile Support

Profil Destek Ayağı



Roller Stand, Height Adjustment, Fixed Feet

Profil Destek Ayağı, Yükseklik Ayarlı, Sabit Ayaklı



WAS 1000

Window Assembly Station

Pencere Montaj İstasyonu



Window Assembly Station, Fixed Feet, Roller Fitted Surfaces

Pencere Montaj İstasyonu, Sabit Ayaklı, Tekerlekli Kayar Yüzeyler

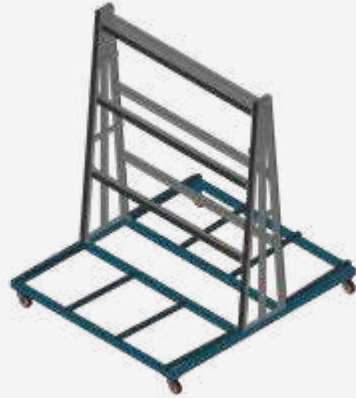


PT 1000

Product Transportation Trolley
Pencere Taşıma Arabası



Product Transportation Trolley, Special Paint Against Scratches, Single Sided, Swivel Wheels
Ürün Taşıma Arabası, Çizilmeye Korunmalı Yüzeyler, Tek Yönlü, Döner Tekerlekli



PT 2000

Window Trolley Two Sided
Çift Yönlü Pencere Taşıma Arabası



Product Transportation Trolley Special Paint Against Scratches, Double Sided, Swivel Wheels
Ürün Taşıma Arabası, Çizilmeye Korunmalı Yüzeyler, Çift Yönlü, Döner Tekerlekli



VP 1000

Çift Yönlü Pencere Taşıma Arabası
Tam Otomatik Çift Kafa Kesme Makinesi



Vertical Profile Trolley, Special Paint Against Scratches, Double Sided, Swivel Wheels

Dikey Profil Taşıma Arabası, Çift Yönlü, Döner Tekerlekli, Çizilmeye Korunmalı Yüzeyler



VP 2000

Window Trolley Two Sided
Çift Yönlü Pencere Taşıma Arabası



Vertical Profile Trolley, Special Paint Against Scratches, Double Sided, Swivel Wheels

Dikey Profil Taşıma Arabası, Çizilmeye Korunmalı Yüzeyler, Çift Yönlü, Döner Tekerlekli



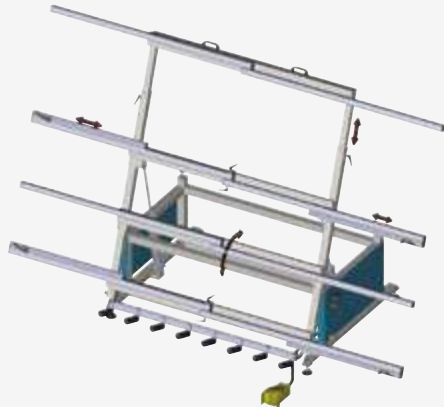
GT 1000

Gasket Trolley
Conta Taşıma Arabası



Gasket Trolley, Four Station, Swivel Wheels

Conta Taşıma Arabası, 4 istasyonlu, Döner Tekerlekli



PWB 4100

Pneumatic Work Bench
Pnomatik Montaj Masası



Pneumatic Work Bench, Telescopic Feature, Vertical and Horizontal Working Position, Plastic Feet

Pnömatik Montaj Masası, Teleskobik Özellikli, Yatay ve Dikey Çalışma Konumlu, Plastik Ayaklı



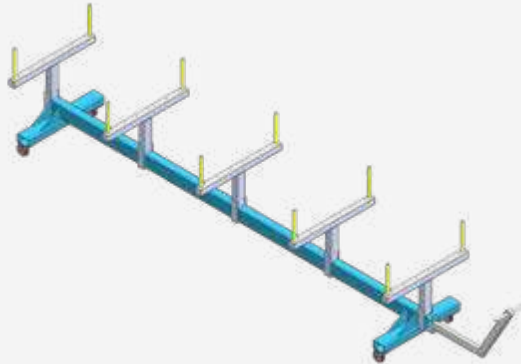
RT 1000

Rotating Assembly Table
Döner Montaj Masası



Rotating Assembly Table, Special Paint Against Scratches, Plastic Feet, Telescopic Feature

Döner Montaj Masası, Çizilmeye Karşı Contalı Yüzeyler, Plastik Ayaklı, Teleskopik Özellik



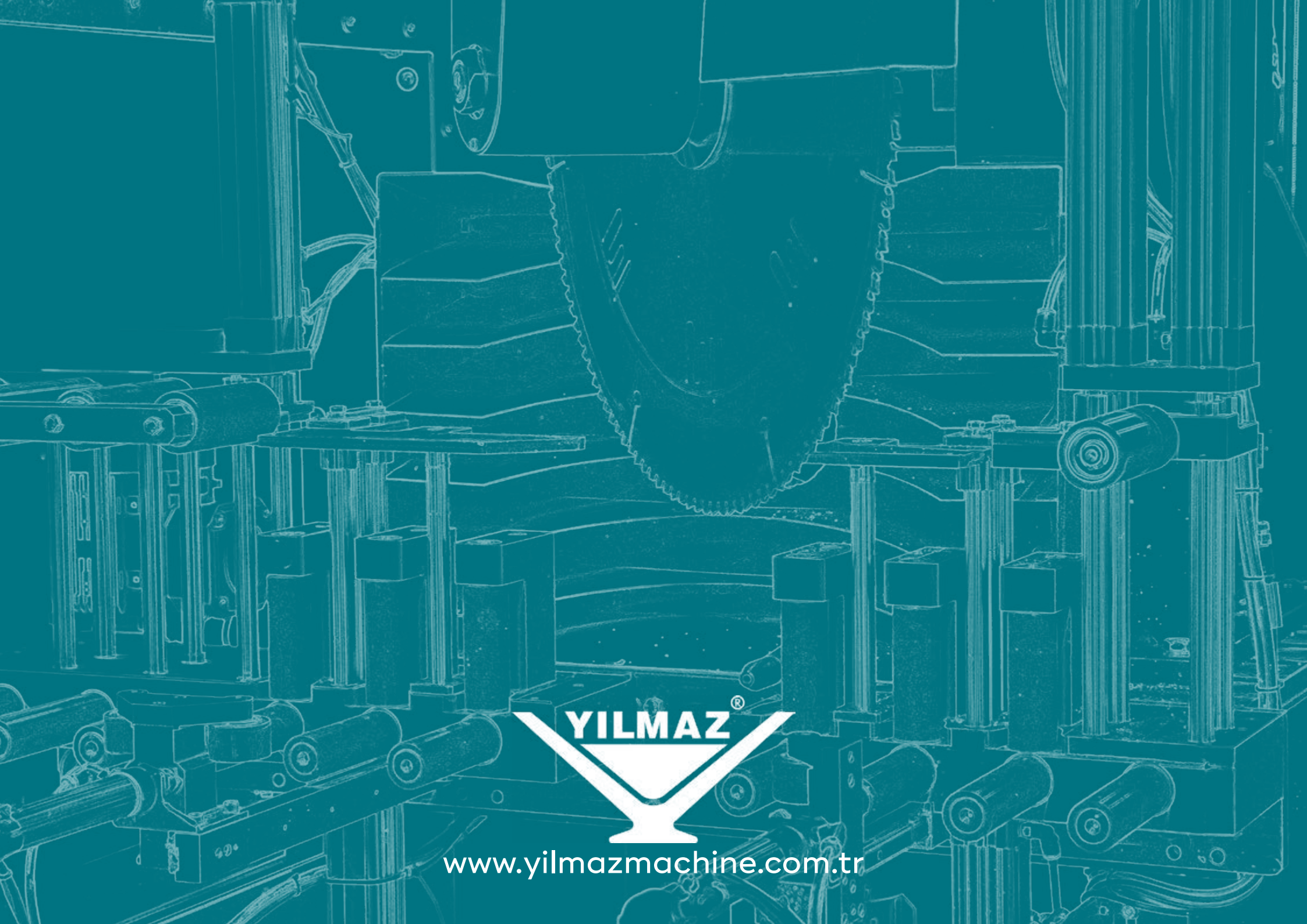
PC 4000

Profile Carry Cart
Profil Taşıma Arabası



Profile Trolley, Swivel Wheels, Special Paint Againsts Scratches

Profil Taşıma Arabası, Döner Tekerlekli, Çizilmeye Korumalı Yüzeyler



www.yilmazmachine.com.tr