

iCaps DT

SEGMENTABLE **BRUSH** CAPSULE POLISHER

DUST-TIGHT

METAL DETECTOR

The **iCaps** range is based on a new generation of modular segments of 400mm. Each section includes a patented rotational brush, specifically designed to elevate, dedust and polish any size and shape of capsules, from 000 to 5.

The modular design allows for adjustable height gain. Four different conveying heights are available from 1000 mm to 2200 mm.

A patented homogeneous vacuum flow channel combined with a product flow deflection ensures a very high level of dedusting and polishing performances.

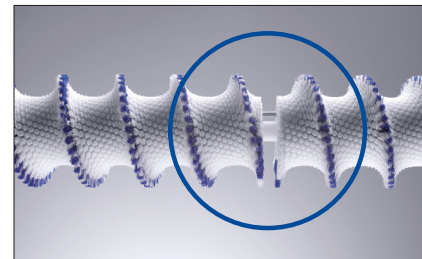
This new generation of unit ensures complete emptying of the unit in a few seconds with all types of capsules and weights. Utmost care has been taken to simplify the design in order to reduce the amount of parts to be assembled and disassembled, and to eliminate the need for tooling.

The iCaps can be combined with Ceia and Lock **metal detectors**. An automatic 2-P Tester can be integrated in the iCaps. It allows to test weight & length of samples.

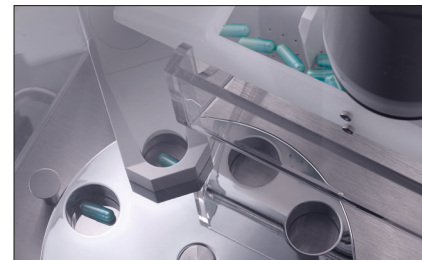
The iCaps generation includes dust-tight cover features to reduce operator exposure to the product, and to dust contamination in the production room. Dust-tight systems are modularly upgradable to containment and high-containment washable solutions.



Patented segmentable brush



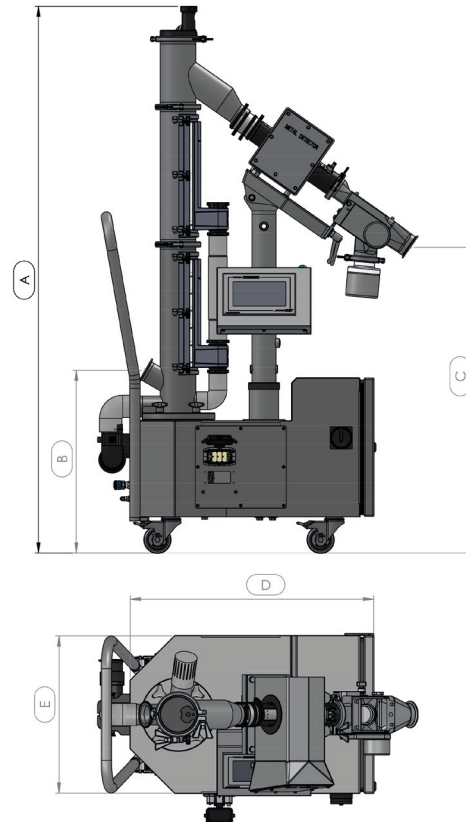
2-P tester



- Excellent polishing and dedusting
- Total emptying with all formats and weights
- Modular assembly composed of segments of 400 mm
- Antistatic metal check throughput chute
- 2-P Tester (weight & length)
- Viewing windows to monitor process
- One touch screen HMI for all fonctions
- Easy assembly, disassembly, and cleaning
- Available "C" Containment OEB3-4 & "HC" High-Containment OEB5 washable

Technical data iCaps DT	1000	1400	1800	2200
Total height (A)	1541 mm	1941 mm	2341 mm	2741 mm
Inlet height (B)	558 mm	558 mm	558 mm	558 mm
Outlet height (C) Ceia	893 mm	1293 mm	1693 mm	2093 mm
Outlet height (C) Lock	909 mm	1309 mm	1709 mm	2109 mm
Floor dimensions (DxE)	860 mm x 470 mm	860 mm x 470 mm	860 mm x 470 mm	860 mm x 470 mm
Net weight (+/- 5Kg)	125 kg	132 Kg	139 kg	146 Kg
Gross weight (+/-5Kg)	145 kg	152 Kg	159 kg	166 Kg
Containment level available :	Standard «DT» Dust-Tight, «C» Containment OEB3-4, or «HC» High-Containment OEB5 washable			

Technical data for all units		
Inlet chute	TC ISO 1127 DN 50	
Outlet chute	TC ISO 1127 DN 50	
Product size	Caps 000 to Caps 5	
Conveying adjustment	Brush rotation speed variation	
Self emptying	Yes, with all types of capsules	
Requested air extraction	Adjustable 110 - 150 m³/h - pressure drop 150 - 2000 Pa	
Dust extraction connection	TC ISO 1127 DN 50	
Requested compressed air (only for C and HC version)	N/A or 350 l/min - Min. 4,5 bar *	
Compressed air connection (only for C and HC version)	KS4*	
Noise level (with product)	<68 dB (A)	
Power supply	110V / 230V ± 10 %	
Non-Metallic Contact Parts	POM C - Nylon - Silicone	
Contact parts finishing	Ra ≤ 0,8 µm	
Frame parts	Stainless steel 304	
Frame finishing	Mirror polished	
Frame mounted on wheels	Yes	
IQ-OQ protocol	Available	
Material certificates	Available	
Packaging	Wooden Box	
Capacity / Speed Examples :	Caps/hour	
Capsules size 5	750000*	
Capsules size 4	750000*	
Capsules size 3	400000*	
Capsules size 2	400000*	
Capsules size 1	400000*	
Capsules size 0	250000*	
Capsules size 00	250000*	
Capsules size 000	250000*	
Metal detector :	Ceia THS/PH21 N	Lock INSIGHT
Stainless steel 316L	0,40 mm	0,50 mm
Non-ferro	0,30 mm	0,35 mm
Ferro	0,25 mm	0,30 mm

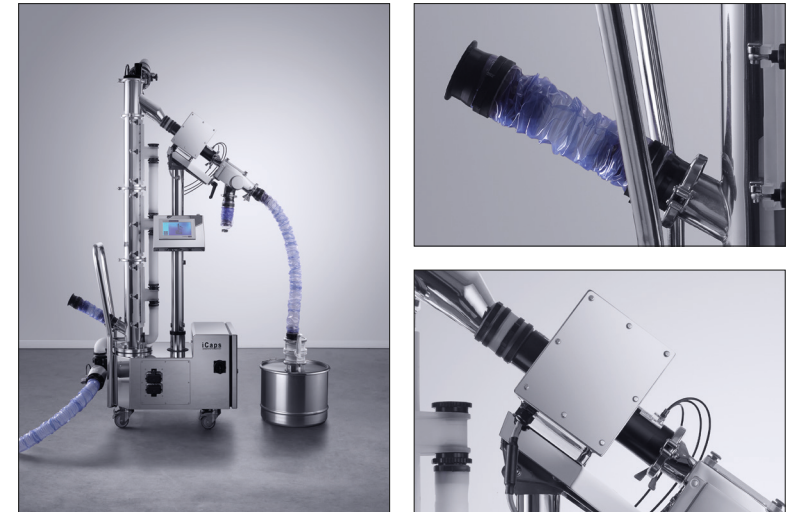


PHARMA **TECHNOLOGY**

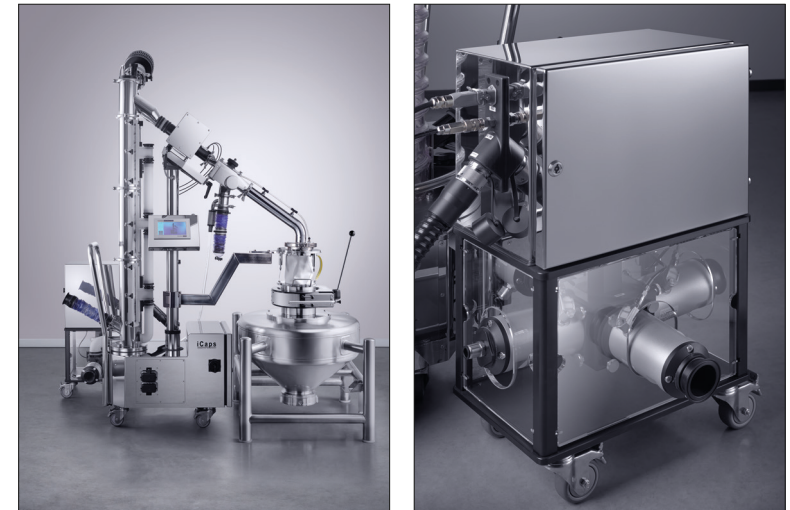


Rue Graham Bell 8
B-1402 Nivelles, BE
Tel: +32 67 70 13 00
info@pharmatec.be
www.pharmatec.be

«C» Containment OEB3-4 features



«HC» High-Containment OEB5 washable features



* Dependend on options