

ahp.products



Block Cylinders

- Operating pressure max. 500 bar
- Various switching possibilities
- Application examples: Mould making, hydraulic clamping



Push Unit

- Operating pressure max. 250 bar
- Precision guiding to contain side loads
- Application example: Deburring tools

Linear cushioning



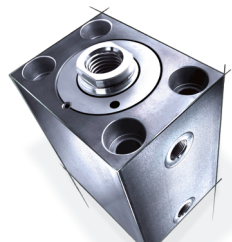
Tie Rod Cylinder

- Ground, hardened and hard chrome-plated piston rods as a standard
- Equipped with Viton® seal as a standard
- Tie rod rolled
- Interchangeable assembly dimensions



Screw-in Cylinder

- Operating pressure max. 250 bar
- Capable of tool and fixture integration
- Application examples: Mould making, fixtures



Stamping Cylinders

- Operating pressure max. 250 bar
- With dipp® system
- Application examples: Punch and stamping tools

Linear cushioning



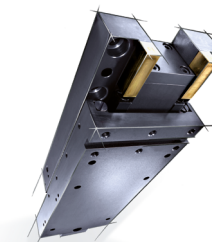
AHP Standard Cylinder

- Operating pressure max. 100, 160, 250 bar
- Optional end position switching / linear position transducer
- Application examples: Mould making, general machine building, machine tools



Hydraulic Cylinder with external guide

- Operating pressure max. 160 bar
- Plasma nitrated cylinder liner offering good guide properties
- Application example: Aluminum pressure die casting



Core Pull Unit

- Operating pressure max. 250 bar
- Compact unit with integrated guides
- Application examples: Mould making



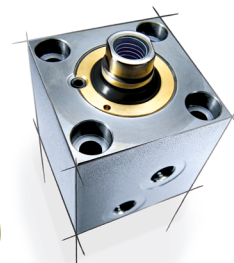
Circular Block Cylinders

- Operating pressure max. 500 bar
- Various mountings
- Application examples: Mould making, hydraulic clamping



DIN Standard Cylinder

- Operating pressure max. 160, 250 bar
- Conforms to DIN/ISO 6020/1, ISO 6022, DIN 24333
- Application examples: General machine building, plant construction



Short-Stroke Cylinder

- Operating pressure max. 160, 400 bar
- Compact assembly dimensions
- Application examples: Mould making, hydraulic clamping, special purpose machines



Flanged Cylinder

- Operating pressure max. 250 bar
- Oil ports located in the mounting flange
- Application examples: Mould making, general machine building, fixtures



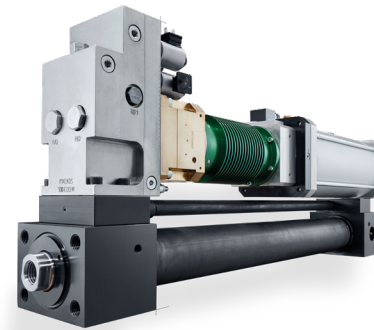
Double-lined Cylinder

- Operating pressure max. 250 bar
- Oil ports located in the mounting flange
- Application examples: Mould making, general machine building, fixtures



Locking cylinder

- Compact block construction
- High holding force
- Locking with pre-tension is possible



E-AHP

- Compact, position-independent electro-hydraulic linear actuator
- Integrated displacement and force measurement (optional)
- 4-quadrant pump, without rotary seal, 100% leakage-free



Wedge Clamp Element

- Operating pressure max. 250 bar
- Positioning and clamping
- Application example: Fixtures

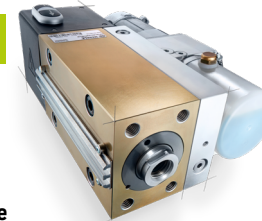
NEW!



Built-in cylinder

- Round short-stroke cylinder
- Can be integrated into a tool
- Direct installation without additional piping

NEW!



E-AHP lite

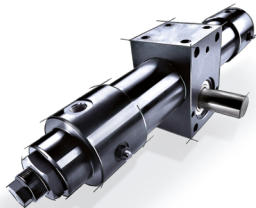
- Ready to install hydraulic axis
- Power 0,2 – 8,69 kW
- No piping, no hoses

NEW!



Hydraulic units

- Core pull units – the extension of your injection molding machine
- Easy connection to your machine via central connector (type Hirschmann)
- Sensitive operation in manual mode



Rotary Drive Unit

- Operating pressure max. 100 bar
- Rotates up to max. 720°
- Application examples: General machine building, machine tools, mould making

NEW!



AHP Standards

- Newly developed products for tool and mold making
- Double ejection mechanical systems
- Mechanical lifter for undercuts

NEW!



ECO-line cylinder

- Hybrid cylinder made of steel and aluminum
- Piston rods hardened, ground and hard chrome plated
- 4 fixation styles at product launch

Stay up to date

Inform yourself
about our innovations:
ahp.de/en/innovations





Quick delivery program. 5% Saving. Worldwide.

Many different type-, piston diameter-, stroke combinations
and different additional options available.

Configuring the quick delivery program now!