



CAD+T

www.cadt-solutions.com

Software for Interior Design and Production

Solutions Overview

PREPARING FOR THE FUTURE TOGETHER

**„WE SUPPLY DIGITAL SOLUTIONS AND EFFICIENT PROCESSES
TO ENABLE CUSTOMERS, TO BE THE TOP OF THEIR INDUSTRIES.“**



We work every day on the further development of our software.

CAD+T HEADQUARTER

CAD+T Solutions GmbH
Gewerbepark 16, 4052 Ansfelden, Austria
+43 7229 83100 0

CAD+T WORLDWIDE

GERMANY

Vattmannstraße 1, 33100 Paderborn
+49 5251 150 240

ITALY

Nordring 25,
39031 Bruneck
+39 339 31 01 902

SOUTH AFRICA

8 Waterford Mews, Century Boulevard,
Century City, 7441 Cape Town
+27 64 604 91 02

SWITZERLAND

Dorfmat 2a, 6343 Rotkreuz
+41 41 790 90 70

UNITED ARAB EMIRATES

Indigo Icon Office 507,
Jumeirah Lakes Towers, Dubai
+971 4 44 77 88 0

INDIA

A2 – 3rd Floor, SPAN Ventures SEZ
Rathinam Techzone Campus
Pollachi Road, Eachanari
Coimbatore – Tamil Nadu
641 021 India
+91 422 492 1000

AUSTRALIA

Level 5, 23-25 O'Connell Street,
NSW, 2000 Sydney
+61 2 800 620 67

THE PRODUCT RANGE



DESIGN

Quickly create 3D designs including walls, doors, windows, and cabinet configurations.



VISUALIZE

Create high-end renderings, 360° panoramas, videos and VR. Live-sync to design module available.



CONFIGURATOR

An ideal solution that simplifies data generation and enables direct transfer into Engineer Classic or Engineer Professional.



ENGINEER

3D CAD design software for individual designs. Automatically place hardware, create parts lists, hardware lists and more directly out of the drawing.



CNC

Data transfer that takes material properties and manufacturing methods into account. Export CNC programs for nesting and up to 5-axis.



WEB SOLUTIONS

Complete solutions ranging from cloud-based data management and licensing services to customizable online shops and e-commerce platforms.



ERP

Plan, control and manage resources such as employees, materials and more. Optimize and organize your workflows.



AUTODESK®

Complete your ideas with various Autodesk® products, such as AutoCAD®, Inventor®, Vault® or Revit® for architecture using and BIM data.



CONSULTING

Our team guides and supports you in developing strategic goals, optimizing workflows, receiving subsidies and more.



HARDWARE

In addition to our software portfolio, we supply you with suitable hardware from HP® and complete RFID solutions for your production.

YOUR ONE STOP SHOP: A FULLY INTEGRATED SOLUTION FOR YOUR CUSTOM-MADE DESIGNS



PLANNING

PLANNING

Fast and flexible planning of all your interior requirements with perfect renderings for presentations.

ESTIMATION

ESTIMATION

Flexible cost calculations using multiple calculation models.



PROCUREMENT & STOCK

PROCUREMENT & STOCK

With a clear order structure, all materials are correctly assigned to each project. This helps to automate and speed up procurement processes. Errors are minimized and your cashflow is increased.

OPERATIONS CONTROL

OPERATIONS CONTROL

Capacity and resource planning of material, people and machinery. Feedback in real time via RFID, mobile App and QR/Barcode





© Felder Group



© SCM Group

CONSTRUCTION

CONSTRUCTION

Flexible and efficient production set up and scheduling with easy handling.

CAM / CNC PRODUCTION DATA

CAM / CNC PRODUCTION DATA

Production data and CNC programs are created automatically which reduces the error ratio massively.



PERFECT RESULT

PERFECT RESULT

The project has been successfully realized exactly as you and your customer imagined it.



THE OPTIMIZED WORKFLOW WITH CAD+T



OPTIMIZED PROCESS

By using the full software solution of CAD+T you have all your data in one single system which speeds up the correct data transfer between different departments. This enables you to save time and use your resources more efficiently.

With the implementation of CAD+T products you will optimize your output and increase your quality while using the same or less resources.

The modular architecture of our software enables a complete end-to-end solution or a step by step implementation customised to your (companies) needs. When using our

**„I DON´T UNDERSTAND,
WHY MANY OTHERS HAVEN´T
ALREADY MADE THE SWITCH
TO CAD+T SOLUTIONS.“**

- Nick Hudson
CEO at Nick Hudson Fine Furniture (UK)

modules together you will achieve a full optimized workflow process.

On the next pages you will find further details of our products. We are also more than happy to assist you personally and to find the right solution together with you.

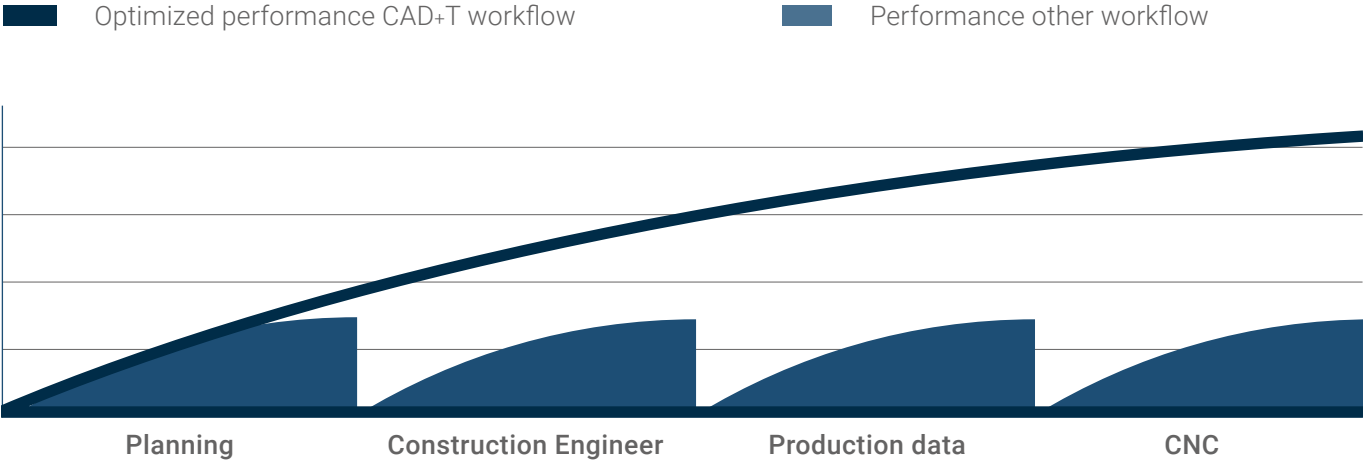


**„TOGETHER WITH CAD+T, WE DON´T JUST CREATE FURNITURE —
WE SHAPE LIVING SPACES. AT FAIR PRICE, WE´RE FURNISHING
HOMES, SUPPORTING FAMILIES AND BUILDING A BRIGHTER FUTURE.“**

- Zayd Wadee
Fair Price (ZA)



OPTIMIZED PERFORMANCE OF THE CAD+T WORKFLOW





ARE YOU INTO BESPOKE FURNITURE AND CUSTOMIZED DESIGNS? WE ARE TOO! GET YOUR DESIGNS IN 2D AND 3D.



DESIGN CLASSIC

The CAD+T Design Classic module with a cabinet configurator allows you, to create even walls, windows and doors and make your designs more dynamic. Benefit from the automated layout generator and the ability to make changes quickly. Once you have started to design, you will benefit from the interconnectivity of all our software modules. So will the design be ready for visualisation as well as construction and shop floor drawings. The Design Classic module is based on AutoCAD®.



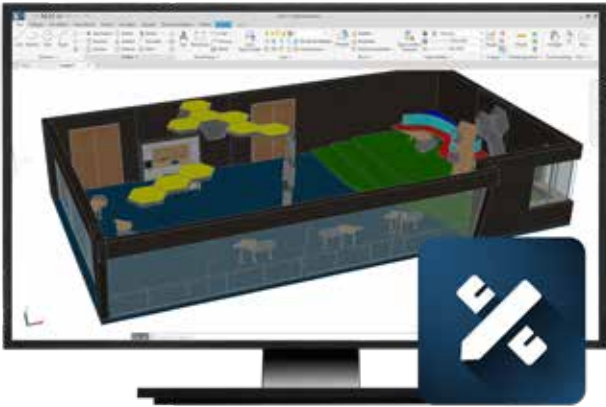
DESIGN PROFESSIONAL

The CAD+T Design Professional Planning Module, based on SketchUp, opens up a world of limitless design possibilities for you. Create compelling 3D models quickly using an intuitive and user-friendly interface. Generate complex models with just a few clicks and impress your clients with high end renderings, thanks to direct interface to CAD+T Visualize. With seamless cloud compatibility through CAD+T EOS, you have access to your projects anytime, anywhere. Maximize flexibility and efficiency with numerous import and export formats, such as DWG, DXF, STL or even the BIM format IFC.



DESIGN CLOUD

This cloud based application allows you to design and visualize from single parts to complete rooms. The articles you are working with, have their own rules and logic for configuration and placement. These can be taken directly from the CAD+T Configurator Professional. Benefit from an optimized user interface, high quality designs and the ability to work independently from any location 24/7.



+ Add on: IFC data import and export

YOUR BENEFIT DESIGN CLASSIC

- + Quick and easy 3D-designs
- + Design even advanced projects
- + Create quotes quickly
- + Interconnectivity to other CAD+T modules
- + 2D and 3D view
- + Suitable for all design areas (joiner, shopfitter etc.)
- + Connection to CAD+T EOS



YOUR BENEFIT DESIGN PROF.

- + User-friendliness meets performance
- + Direct interface with CAD+T EOS and Visualize
- + Unlimited design freedom, lightning-fast modeling
- + Extensive decoration library via 3D-Warehouse
- + Customized tools for every need
- + Cloud compatibility – access anytime, anywhere
- + Numerous import and export formats
(e.g. DWG, DXF, STL, IFC)



YOUR BENEFIT DESIGN CLOUD

- + Cloud based application
- + Work independently from any location 24/7
- + Direct takeover of data from different
CAD-engines
- + Access control for different users
- + Reduction of time and cost
- + Able to integrate into company workflow
- + No installation necessary

VISUALIZE



**PUSH THE BOUNDARIES OF WHAT'S POSSIBLE.
BECAUSE VISUALIZING HAS NEVER BEEN THIS EASY!**



VISUALIZE PROFESSIONAL

The CAD+T Visualize Professional module includes all functionalities of the Visualize Classic module and enables additional effects such as the aging of materials, water and glass combinations, sunlight reflections, grass and more. Furthermore, the Professional module supports VR data export.



VISUALIZE AI (INCLUDED IN DESIGN PROFESSIONAL)

Visualize AI based on SketchUp stands for modern AI-powered rendering technology. Creative prompts open up new possibilities for intuitive and compelling presentations. The system automatically analyzes materials, light sources, and spatial structures, generating high-end visualizations within seconds – precise, realistic, and efficient. Thanks to its integration into CAD+T Design Professional, a seamless end-to-end workflow is created.





YOUR BENEFIT VISUALIZE PROF.

- + Aging of objects (vintage-effect)
- + High resolution objects
- + Painting and glass effects
- + Water effects
- + Advanced material data base
- + Import of real world environments
- + Export for virtual reality (VR)



YOUR BENEFIT VISUALIZE AI (INCLUDED IN DESIGN PROFESIONAL)

- + AI-powered rendering
- + Prompt-based scene creation
- + Real-time visualization
- + Seamless integration into CAD+T Design Prof.
- + Dynamic variants
- + Maximum efficiency
- + Integration with CAD+T EOS



USE OUR SPECIAL CAD+T TOOLS TO IMPROVE YOUR CONSTRUCTION PROCESS.



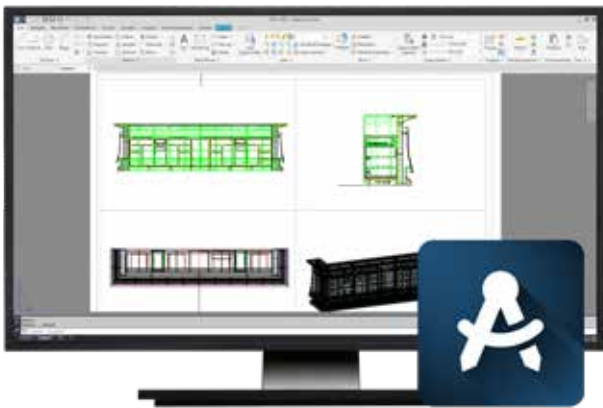
ENGINEER CLASSIC

CAD+T Engineer Classic module is based on AutoCAD® including the same user interface to ensure fast learn-ability. Sections and details are automatically created as well as different views which increases the work speed especially for individual construction. The automatic hardware placement supports the user especially with bespoke engineered furniture. Import and adjust any items easily from our CAD+T Design Classic module or start from scratch with a 2D drawing and get the 3D data automatically.



ENGINEER PROFESSIONAL

This is a 3D parametric construction module based on Inventor® which similar, to CAD+T Engineer Classic, gives you automatically your cutting list and CNC data. We have enhanced this module to also work for furniture engineering. Due to the 3D parametric you can easily change features without changing the basic construction. This add-on for Inventor® specifically includes special features like core material selection, edge function and surfaces for the furniture industry.



YOUR BENEFIT ENGINEER CLASSIC

- + Based on AutoCAD®
- + Automatic creation of parts lists
- + Connection to CNC machinery
- + 4 different views
- + 2D views with sections, 3D isometric
- + Automatic hardware placement
- + Library of hardware manufacturer
- + Especially made for bespoke items

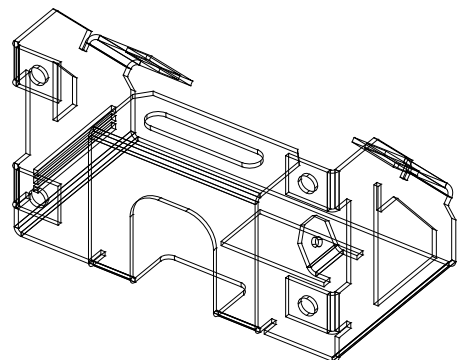


YOUR BENEFIT ENGINEER PROF.

- + Based on Inventor® (3D parametric)
- + Automatic creation of parts lists
- + Connection to CNC machinery
- + Automatic drawing derivation
- + Perfect for large and complex projects
- + Explosion view and movement simulation
- + Reduction of parts through part connection
- + Controllable revisions

+ ADD-ON: METALBENDER

This can be added to CAD+T Construction Engineer Professional module where you can create sheet metal constructions which considers material thickness as well as different materials. It can also bend, flatten, create flaps and variable flang construction.





OPTIMIZE YOUR PRODUCTION WORKFLOW BY AUTOMATICALLY GENERATING CNC DATA.



CAM INTERFACE

The CAD+T CAM interface is an intelligent connection to 3-5 axis CNC machinery for the individual production. We generate directly out of CAD+T Engineer Classic or Professional module CNC files which consider the geometry and material features of each part. The CAM system includes an intelligent work-on logic according to material, tools and production steps which increases the usage efficiency of the machine without the need of a specialized CAM operator.



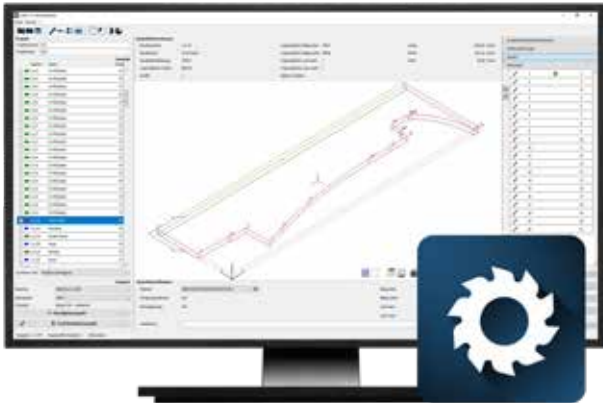
NESTING

Efficient nesting starts with the software and it ends at the finished part which leads to a faster and more efficient material handling in the workflow. Free shaped parts are placed by considering the tools and capabilities of the machine. We achieve through the perfect placement of small parts between the different sized parts an optimized material usage.



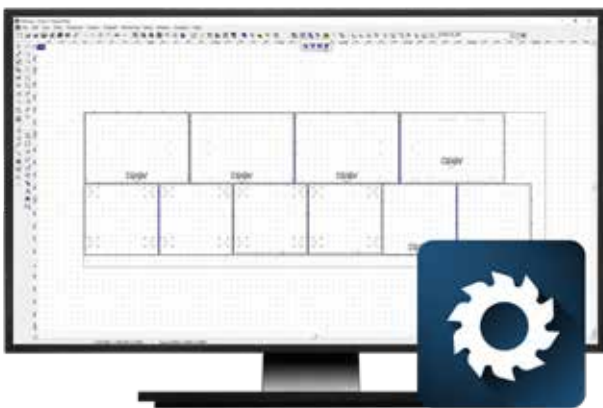
5-AXIS SIMULTANEOUSLY

Inventor® CAM is a 2,5 to 5 axis CAM system which allows 4 and 5 axis simultaneous work-on. The data is generated from CAD+T Engineer Professional and through this high performance software, perfectly prepared for further production steps. You can check with the preview simulation for any potential collision. Additionally it will also calculate the time for more complex CNC programs. The Fusion 360 ultimate is the cloud based solution for this.



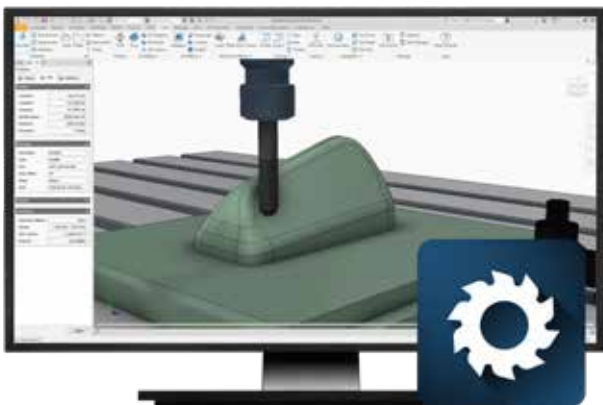
YOUR BENEFIT CAM INTERFACE

- + High performance post-processor
- + Logic based on material and geometry
- + Also CAM silent mode available
- + Simultaneous output for different CNC machinery
- + Automatic file recognition with barcode
- + Definition of production steps
- + Automatic tool selection



YOUR BENEFIT CNC NESTING

- + Intuitive user interface
- + Output to nesting machine possible
- + 64-bit engine
- + Nesting with grain direction
- + Combining and repeating orders
- + Optimized production steps for wood based material
- + Enhanced nesting for reduced material wastage



YOUR BENEFIT 5-AXIS

- + Complex 3D milling and 5 axis program simultaneously possible
- + Analyze of volume bodies or flat surfaces
- + Automatic takeover of 3D volume bodies
- + Fast calculation and easy handling
- + Vector drilling and milling
- + Post-processor for several brands of machinery
- + Adaptive clearing for optimal surface quality



MANAGE YOUR DATA WITH EOS DOCS AND EXPAND YOUR SALES CHANNELS WITH AN ONLINE SHOP OR E-COMMERCE SOLUTION.



EOS Docs

CAD+T EOS Docs is the perfect tool to store your data safely in the cloud. Your files (drawings) are backed up and versioned. Thereby you have access to all versions of your data. In addition, you can manage your sales orders, material masters, license access and your CAD system settings can also be organized via CAD+T EOS Docs. This is the perfect tool if you want to share data and licences with your team or freelancers independent of their work location.



E-COMMERCE

The e-commerce platform can be used as a sales tool for your own sales team as well as an online shop for your partners or directly for consumers. In combination with CAD+T EOS, you can easily manage your product data in one place and automatically display it in the shop, customized for each user group. Choose from a wide range of options and increase your online orders!

CUSTOMIZATION MEETS HIGH-END TECHNOLOGY! AUTOMATICALLY GENERATE DRAWINGS OUT OF THE CONFIGURATION.



CONFIGURATOR PROFESSIONAL

CAD+T Configurator Professional is a scalable cloud-based application and supports installation on-premise or in the cloud. The advanced software architecture enables usage under complex conditions, with huge amounts of data and for handling special adjustments.



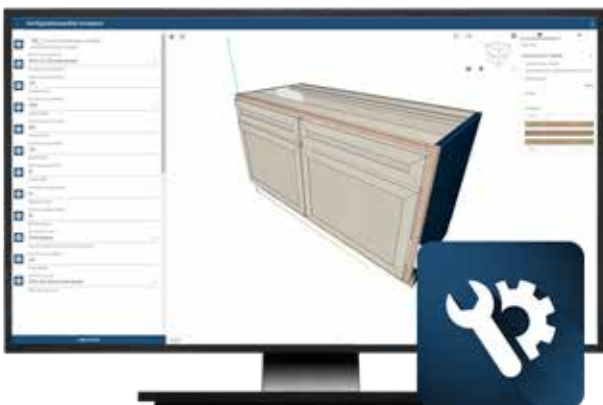
YOUR BENEFIT EOS DOCS

- + Cloud-based application
- + Secure data management
- + Save drawings centrally and versioned
- + Central material master
- + Easy management of CAD+T licenses
- + AWS cloud included
- + Automatic data backup



YOUR BENEFIT E-COMMERCE

- + Using data from CAD+T EOS
- + User interface adaptable to your process
- + Dynamic 2D/3D product preview created instantly
- + Managing different access rights for different target groups
- + Integration option for existing ERP/CRM systems
- + Scalable
- + AWS cloud included



YOUR BENEFIT CONFIGURATOR PROF.

- + Advanced software architecture
- + Exportable CAD/CAM data
- + Production data and price calculations
- + Connect data to AutoCAD®, Inventor®, SketchUp
- + Connection to all CRM- & ERP systems
- + Automatic generated drawings and layouts
- + Live 3D-preview



WHETHER YOU ARE A SMALL, MEDIUM OR LARGE-SIZED COMPANY, WE HAVE THE RIGHT AND SUITABLE SOLUTION FOR YOUR BUSINESS!



ERP PROFESSIONAL

ERP Professional from CAD+T is the first choice for medium to large sized companies when you need to show your workflow the best possible way. Plan and organize your processes and procedures within the ERP Professional. The process starts from quotations and sales orders in the CRM, taking it further into procurement as well as production information. The feedback system allows you to be always up to date, even on complex projects.



ERP CLOUD

Reduce IT costs with cloud-based software. The ERP Cloud module allows you to work independently from any location 24/7 and automatically back up your data. This kind of data management offers a live connection to the data of your suppliers including price updates and availability of items.





YOUR BENEFIT ERP PROFESSIONAL

- + Ideal for medium and large-sized companies
- + Sophisticated stock and material management
- + Invoice control
- + Extensive operations control
- + Different calculation schemes
- + Included CRM functionalities
- + Microsoft® office interface



YOUR BENEFIT ERP CLOUD

- + Cloud based application
- + Automatic backup
- + RFID integration
- + Integrated configurator
- + Extensive reports
- + Mobile time logging
- + 1D + 2D cutting optimisation



**FOR TECHNICALLY ORGANIZED MEDIUM AND LARGE-SIZED COMPANIES.
CHOOSE FROM A VARIETY OF DIFFERENT MODULES!**

COMMERCIAL ORDER MANAGEMENT (BASE LICENCE)

- + CRM and project management
- + Pre calculation, offer and order management

TECHNICAL ORDER MANAGEMENT

- + Data takeover from CAD+T Software
- + Variable order and master material list

PURCHASE MANAGEMENT

- + Order management of stock and commission articles
- + Supplier management (email, COMNorm, and more...)

STOCK MANAGEMENT

- + Handle minimum order quantities, semi- and finished goods
- + Automatic purchase-to-stock unit conversion

OPERATIONS CONTROL

- + Pre calculation and record of production times
- + Post calculation, statistics and more...

CAPACITY PLANNING

- + Planning with precalculated times based on cost center, machine or human resources
- + Progress control of daily, weekly, monthly or yearly capacity planning





ORDER TRACKING

- + Visual illustration of actual order progress
- + Automatic order control through completion confirmation via touchscreen, barcode

INVOICE CONTROL

- + Project and order assignment
- + External and internal query with suppliers

ADD-ON:

ERP PROFESSIONAL APP

- + Seamless ERP-Professional integration & real-time mobile documentation
- + Digital signatures & GPS tracking
- + Intuitive time tracking with barcode scanning
- + Digital warehouse management



CUTTING OPTIMISATION

- + Automatic data takeover from technical order management
- + Multiple optimisation processes

INTERFACES

- + To all standard accounting systems
- + Adaptable interfaces to further systems through REST-API





MANAGE AND INTEGRATE BUSINESS PROCESSES WITHIN A SINGLE SYSTEM ENVIRONMENT.

With cloud-based ERP software, you are always up to date. The solution enables you to work in the office or remotely and automatically secures your data. EOS Docs forms the foundation for centralized data management with live integration, supplier data, price updates, availability, and more. Choose the right EOS module according to your needs – from technical basics to a comprehensive enterprise solution.

EOS TECHNICAL HIGHLIGHTS*

Including all functions of EOS Docs +

Automatic parts list import from the CAD+T program

Management of production orders including revisions and versioning

Standard reports e.g. BOM, cutting list, hardware list, ...

1D + 2D cutting optimisation (bars and panels)

* Only available as SaaS

EOS PROFESSIONAL HIGHLIGHTS*

Including all functions of EOS Technical +

Configurator with production know-how

Price and cost calculations e.g. production cost, ...

Customizable reports e.g. BOM, cutting list, hardware list, ...

Mobile time recording of different resources

Live 3D preview of your design

* Only available as SaaS



EOS ENTERPRISE HIGHLIGHTS

Including all functions of EOS Professional +

Automated drawing generation

Drawing connection of CAD+T Construction Engineer Classic/Prof.

RFID-Integration

Available as cloud or perpetual license - On-premise installation possible



EOS MOBILE APP

Stay in full control of your processes, projects, orders, and quotes at any time – simple, transparent, and directly connected to CAD+T EOS. Record attendances and log working hours by project or order, including workstation, down to the minute. Thanks to the search function, barcode and QR scanning, and intuitive timer controls, time tracking is fast and practical. Access important information in real time, from anywhere. EOS Mobile boosts efficiency, creates transparency, and provides a solid data foundation for time tracking and post-calculation.



EOS FEATURE MATRIX

Product	Docs	Technical	Professional	Enterprise
Document management	+	+	+	+
Master Data Management	+	+	+	+
CAD integration	+	+	+	+
Reports (z.B.: bill of materials)		+	+	+
Configurator			+	+
Calculation			+	+
E-Commerce*			+	+
Time tracking			+	+
Production management			+	+
Drawing automation				+
RFID Integration and automation				+

*incl. Stripe and PayPal integration



Learn more about EOS features now!

CAD+T

CAD+T HEADQUARTER

CAD+T Solutions GmbH
Gewerbepark 16
4052 Ansfelden
Austria
T +43 7229 83100 0
E office@cadt-solutions.com
W www.cadt-solutions.com

CAD+T WORLDWIDE

Germany, Italy, Switzerland,
United Arab Emirates,
South Africa, India, Australia

Follow us on



OUR CERTIFICATES



OUR PARTNERS

 **AUTODESK**
Product Specific Reseller (PSR)

