

NCA-4250

1U 19" Rackmount Network Appliance Built With Intel® Core™ Ultra 200S Series Processors



Images are for reference only. See ordering information for SKU details.

■ Features

- Intel® Core™ Ultra 200S Series Processors
- 2x 2.5GbE RJ45, 8x GbE RJ45, 4x 10G SFP+, 4x Pairs Of Bypass, 1x NCS2 Slim Size NIC LAN Module
- 4x 288-pin DDR5 5600 MT/s UDIMM/CUDIMM, Max. 192GB
- 1x LOM Port Via IPMI Card, 1x RJ45 Console, 2x USB 3.0
- 2 x 2.5" HDD Tray Support, 1x M.2 (NVMe) 2280 M Key
- 2x16 Character LCM, 4x Keypads
- 450W Redundant PSUs Or 350W Single PSU (By SKU)

■ Specifications

Platform	
Form Factor	1U 19" Rackmount
Processor Options	Intel® Core™ Ultra 200S Series
CPU Socket	LGA1851
Chipset	W880
Security Acceleration	N/A
BIOS	AMI SPI Flash BIOS
System Memory	
Technology	DDR5 5600 MT/s ECC Or Non-ECC UDIMM Or CUDIMM
Max. Capacity	192GB
Socket	4 x 288-pin DIMM
Networking	
Ethernet Ports	2 x 2.5GbE RJ45 Via 2x Intel® i226-LM 8 x GbE RJ45 Via 2x I350-AM4 4 x 10G SFP+ Via 1x XL710-BM1
Bypass	4 Pairs Of Bypass Via 2x I350-AM4
NIC Module Slot	1
LOM	
IO Interface	1 x RJ45 (Optional)
OPMA Slot	Yes
I/O Interface	
Reset Button	1
LED	Power/Status/Storage
Power Button	1 x ATX Power Switch
Console	1 x RJ45
USB	2 x USB 3.0
LCD Module	Yes
Display	Optional (From OPMA Slot)
Power Input	AC Power Inlet On PSU
Storage	
HDD/SSD Support	2 x 2.5" HDD Tray Support
Onboard Slots	1 x M.2 (NVMe) 2280

Expansion	
PCIe	N/A
Mini-PCIe	N/A
Miscellaneous	
Watchdog	Yes
Internal RTC with Li Battery	Yes
TPM	Yes (Optional), TPM 2.0
Cooling	
Processor	Passive CPU Heatsink
System	4 x Smart Fans
Environmental Parameters	
Temperature	0~40°C Operating -40~70°C Non-Operating
Humidity (RH)	5~90% Operating 5~95% Non-Operating
System Dimensions	
(WxDxH)	438 mm x 432 mm x 44 mm
Weight	7.33 kg (SKU A) 6.53 kg (SKU B)
Package Dimensions	
(WxDxH)	582 mm x 548 mm x 182 mm
Weight	10.87kg (SKU A) 10.07kg (SKU B)
Power	
Type / Watts	SKU A: 450W 1+1 ATX AC Redundant PSUs (DC as Optional) SKU B: 350W AC Single PSU
Input	SKU A: AC 100-240V~/6A @50~60Hz SKU B: AC 110-240V~/7A @47~63Hz
Certification	
Approvals and Compliance	RoHS, CE/FCC Class A, UKCA

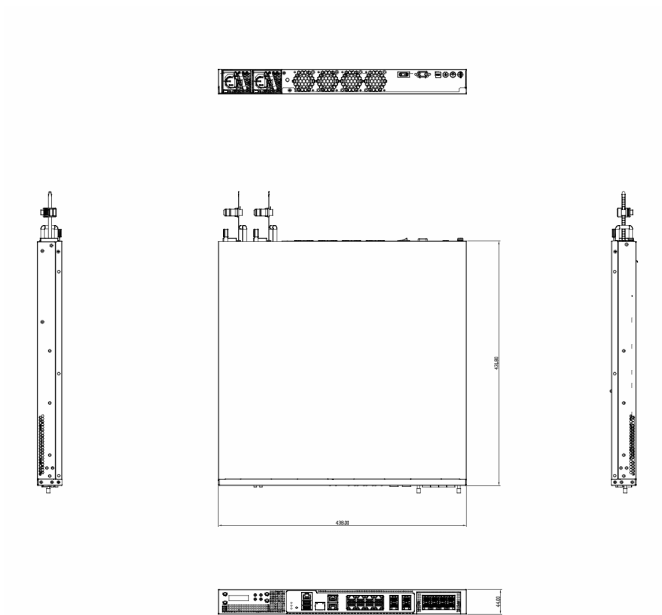
Product I/O View

Images are for reference only. See ordering information for SKU details.



- | | | |
|------------------------------|----------------------------------|------------------------|
| A LCM & Keypad | E 2x 2.5GbE RJ45 | I 4x Smart Fans |
| B Status LED | F 8x GbE RJ45 With Bypass | J Power On/Off |
| C RJ45 Console & USB | G 4x10G SFP+ | K Power Inlet |
| D LOM (Via IPMI Card) | H NIC Slot | L PSU |

Dimensions (WxDxH): 438 x 431.8 x 44 mm



Ordering Information

- | | |
|------------------|--|
| NCA-4250A | Intel® Core™ Ultra 200S Series Processors, 2x 2.5GbE, 8x GbE RJ45 w/ Bypass, 4x10G SFP+, 1x NCS2 Slot, 1x LCM, TPM2.0 (Optional), 1x M.2 2280 NVMe Slot, Redundant PSU |
| NCA-4250B | Intel® Core™ Ultra 200S Series Processors, 2x 2.5GbE, 8x GbE RJ45 w/ Bypass, 4x10G SFP+, 1x NCS2 Slot, 1x LCM, TPM2.0 (Optional), 1x M.2 2280 NVMe Slot, Single PSU |

V1-2026.06.08

Lanner

© Lanner Electronics Inc. All rights reserved.
 All product specifications are subject to change without notice.
contact@lannerinc.com | www.lannerinc.com