

www.wjind.com

www.wjind.com



WONJIN INDUSTRY CO.

Since 1997

WONJIN
INDUSTRY CO.



Add 982, Nakdong-daero, Sasang-gu, Busan, Republic of Korea
Tel +82. 51. 327. 5988 **Fax** +82. 51. 327. 5987

WONJIN believes that quality is not an option but a necessity.
That is our promise about you.

Contents

- 01 Company Introduce & History
- 03 Company Information
- 04 Certificate & Patents
- 05 Products : Die-Casting Cooler
- 15 Products : Die-Casting Parts
- 17 Products : Special Brazing

Company Introduce

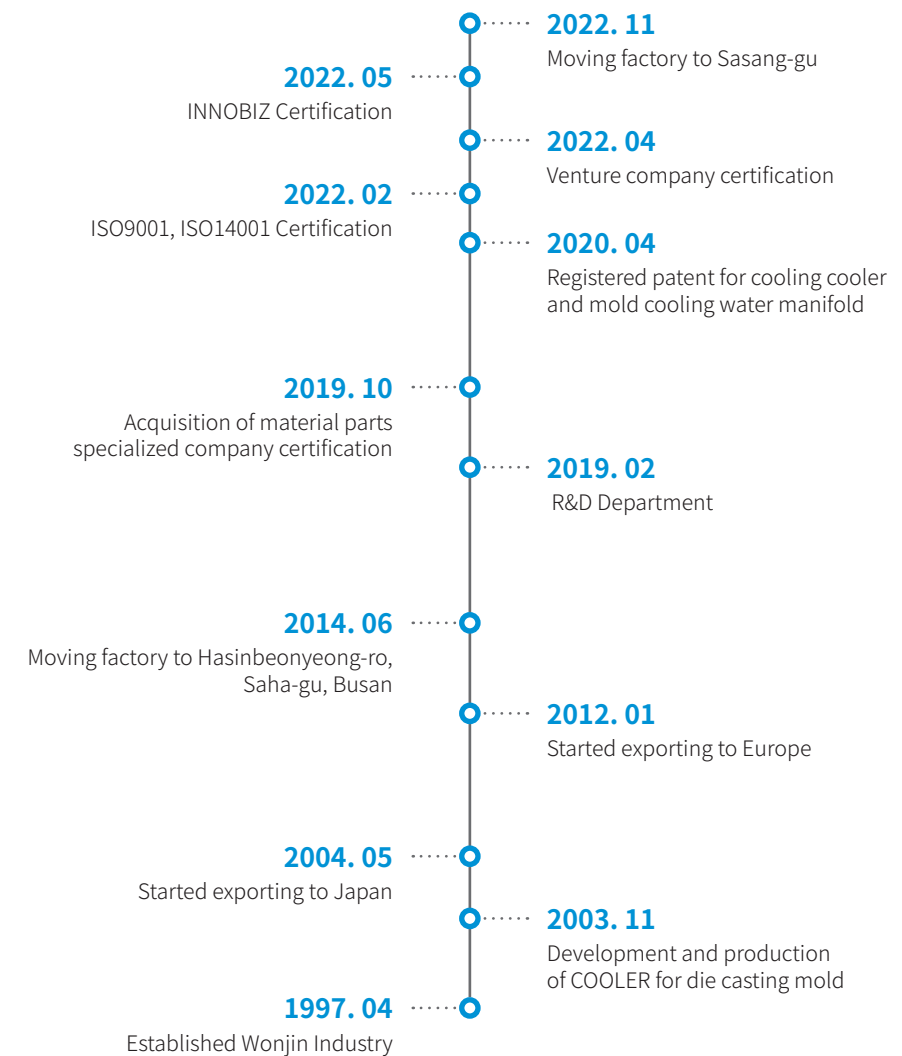
Welcome to WONJIN Industry Co.

Since its establishment in 1997, Wonjin industry has specialized in manufacturing coolers for die-casting molds based on decades of accumulated technology through a spirit of constant challenge. With thorough quality control and the best R&D capabilities, we have obtained product patents and ISO9001,4001 certification, established a department dedicated to R&D to improve existing processes, improve product functions, and develop new products.

As a result, we provide high-quality products to our customers at reasonable prices to secure global competitiveness and deliver them not only to Japan, France, Germany, Italy, and Spain, but also to 12 countries.

Wonjin industry will continue to provide advanced services with an active will to pursue new challenges and creation with high quality and customer satisfaction as the top priority.

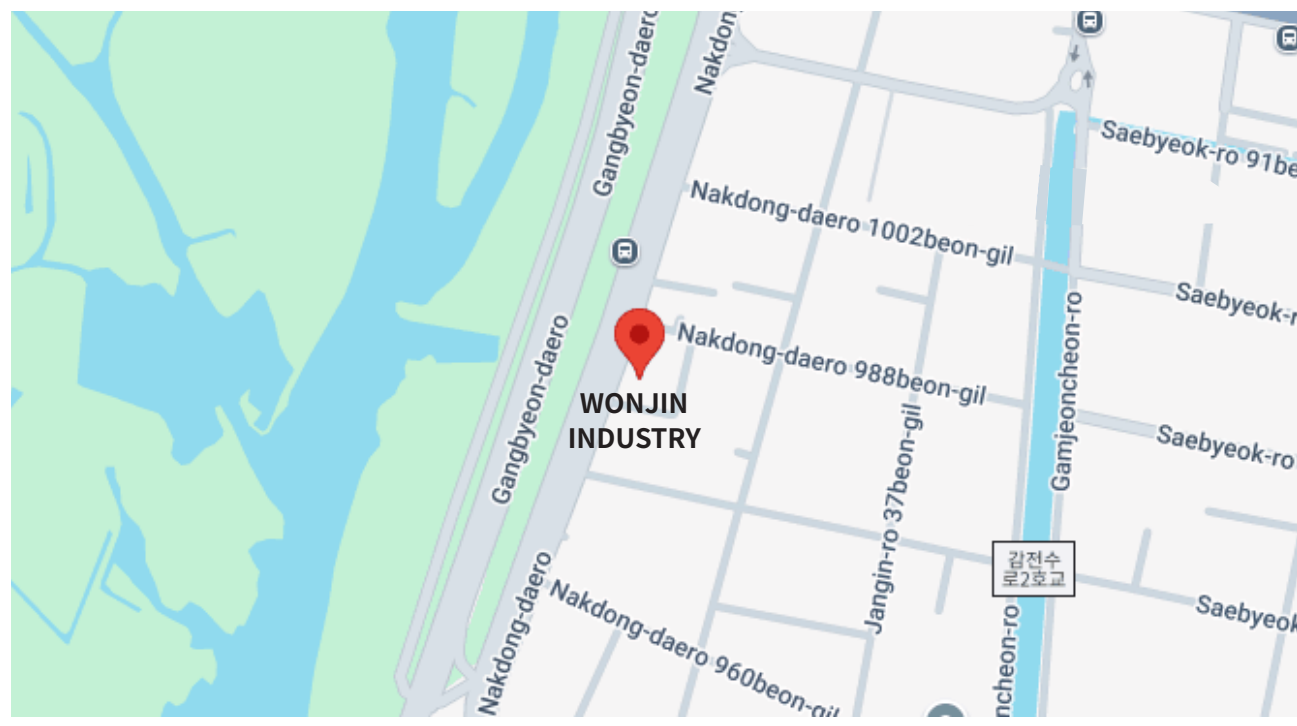
History



Company Information

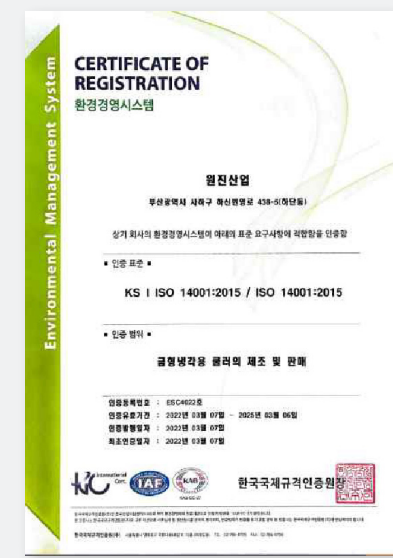
Company Name Wonjin Industry Co.	CEO GYUCHAN, SEOL
Establishment Date April 1997	Business Field Cooler, Manifold, Core Pin, Special Brazing
Business License Number 622-01-24774	Tel +82-51-327-5988
Fax +82-51-327-5987	Email wjind5988@naver.com

Location



Address
(47028) 982, Nakdong-daero, Sasang-gu, Busan, Republic of Korea

Certificate & Patents



Coolant manifold patent for molds
May 2020



Recognition letter of the R&D department
April 2022



ISO 9001 Quality Management System
February 2023



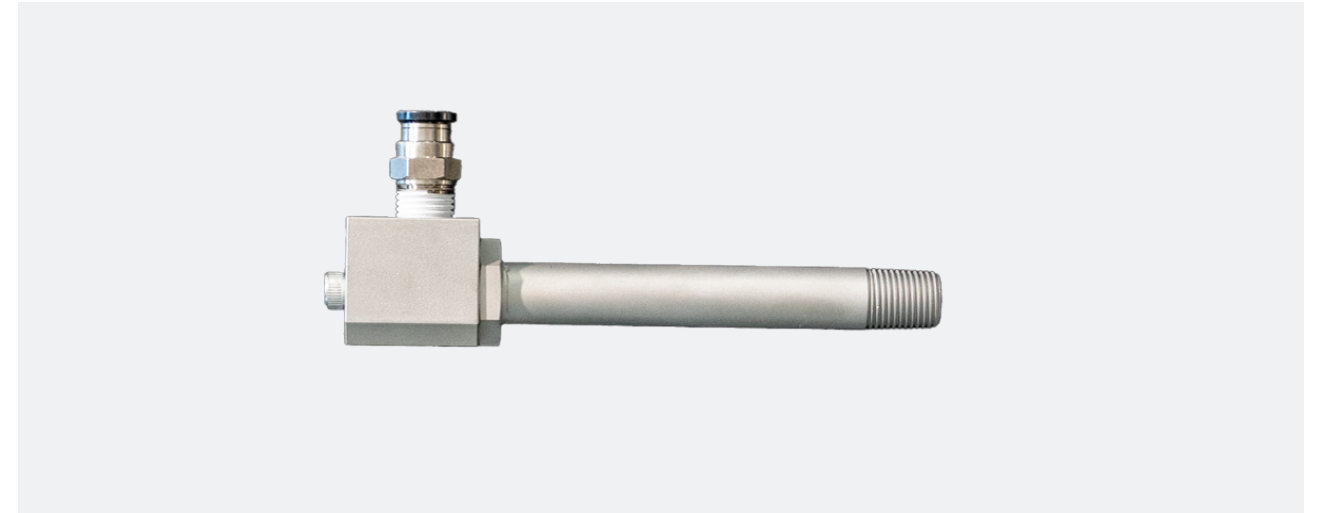
ISO 14001 Environmental Management System
February 2023



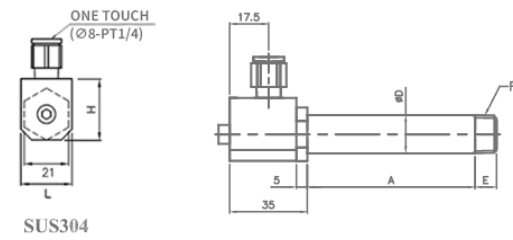
Cooling Cooler Patent for Die Casting Mold Die
February 2023

Die-Casting Cooler

WJ-02-RC Cooler Screw



PRODUCT DRAWING

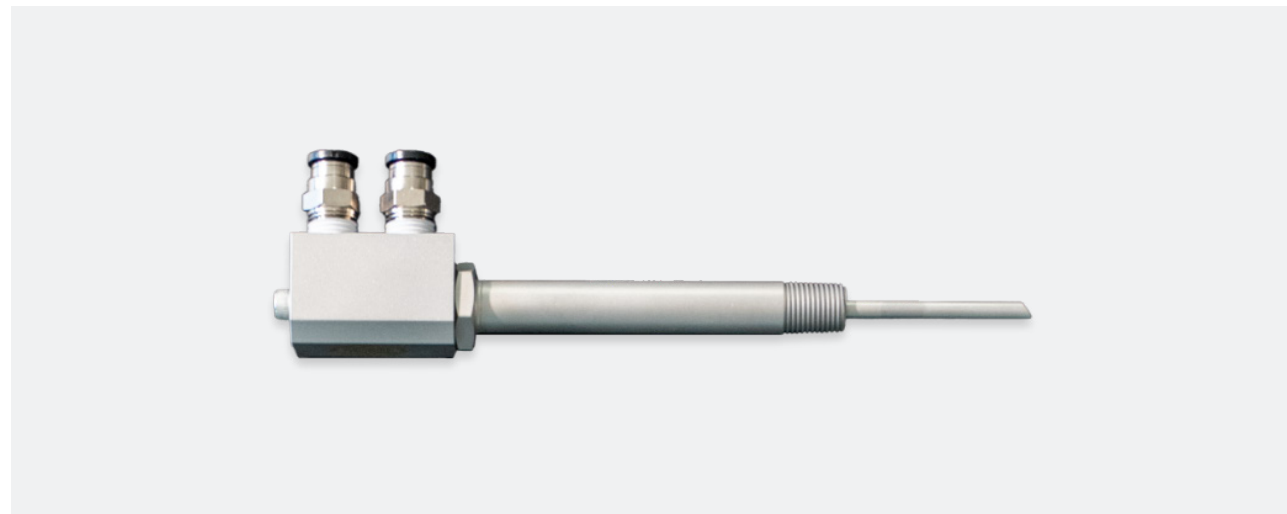


SPECIFICATION

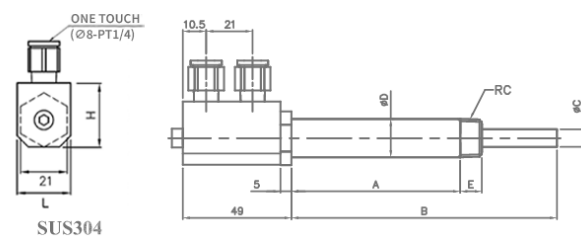
RC	E	D (OUT PIPE)	L	H
PT1/8	10	Ø10.0 x 2.0T	24	28.5
PT1/4	12	Ø13.8 x 2.6T	24	28.5
PT3/8	15	Ø17.3 x 2.9T	24	28.5
PT1/2	15	Ø21.7 x 2.8T	28	35.0

- Order Code : WJ - 02 - RC - A
- Order Example : WJ - 02 - 3/8 - 100

WJ-01-RC Cooler Screw



PRODUCT DRAWING

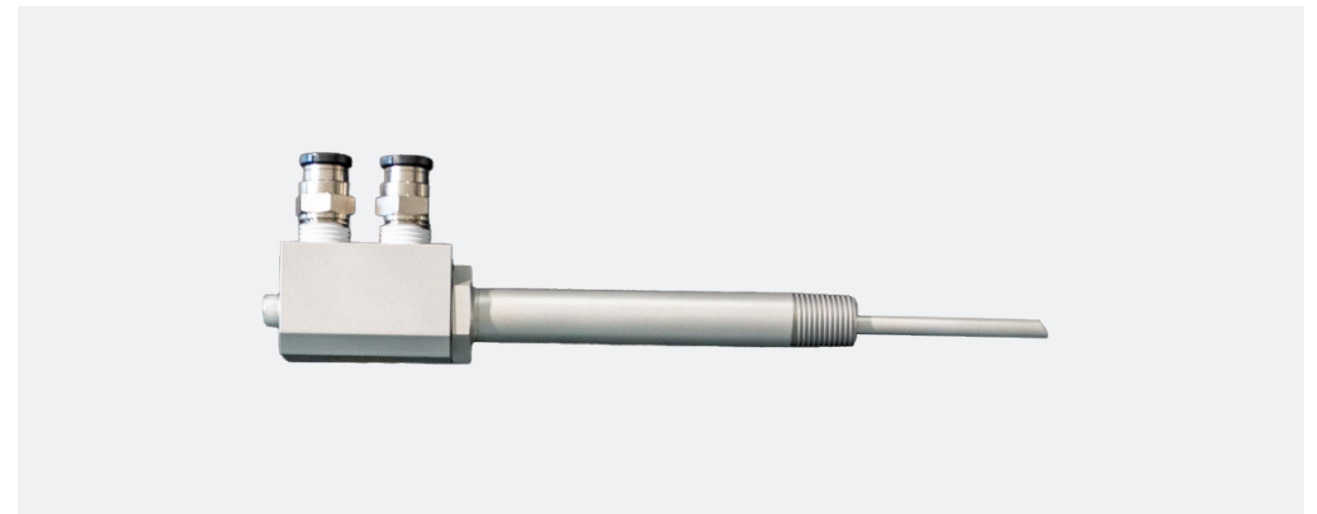


SPECIFICATION

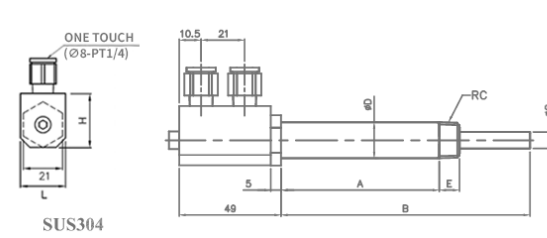
RC	E	D (OUT PIPE)	C (IN PIPE)	L	H
PT1/8	10	Ø10.0 x 2.0T	Ø5 x 0.5T	24	28.5
PT1/4	12	Ø13.8 x 2.6T	Ø5 x 0.5T	24	28.5
PT3/8	15	Ø17.3 x 2.9T	Ø8 x 0.5T	24	28.5
PT1/2	15	Ø21.7 x 2.8T	Ø8 x 0.5T	28	35.0

- Order Code : WJ - 01 - RC - A - B
- Order Example : WJ - 01 - 3/8 - 100 - 150

WJ-03-RC Cooler Screw IN PIPE BRAZING TYPE



PRODUCT DRAWING

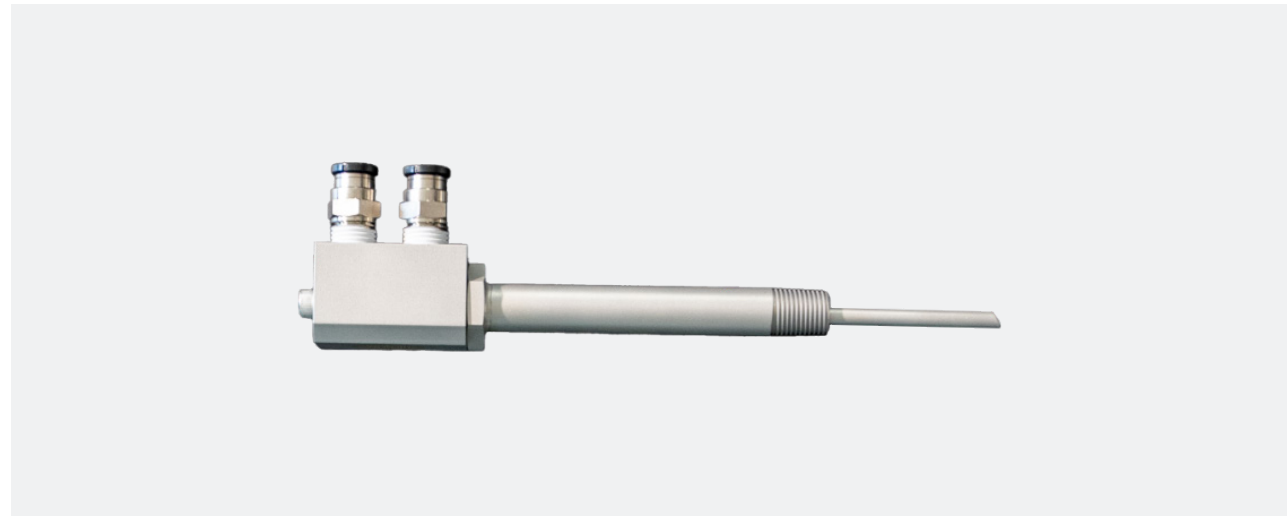


SPECIFICATION

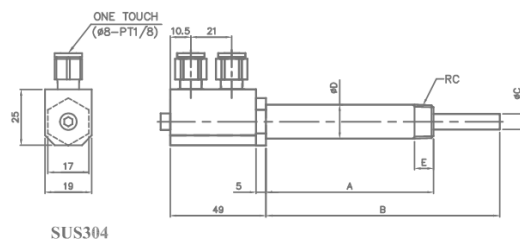
RC	E	D (OUT PIPE)	C (IN PIPE)	L	H
PT1/8	10	Ø10.0 x 2.0T	Ø5 x 0.5T	24	28.5
PT1/4	12	Ø13.8 x 2.6T	Ø5 x 0.5T	24	28.5
PT3/8	15	Ø17.3 x 2.9T	Ø8 x 0.5T	24	28.5
PT1/2	15	Ø21.7 x 2.8T	Ø8 x 0.5T	28	35.0

- Order Code : WJ - 03 - RC - A - B
- Order Example : WJ - 03 - 3/8 - 100 - 150

WJ-05-RC Cooler Screw



PRODUCT DRAWING



SPECIFICATION

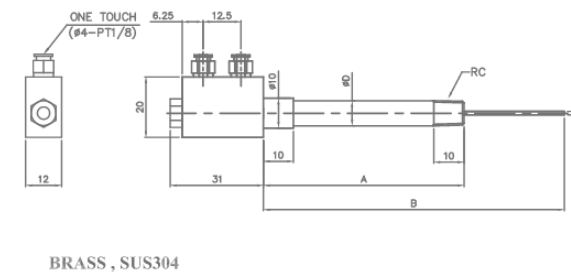
RC	E	D (OUT PIPE)	C (IN PIPE)
PT1/8	10	Ø10.0 x 2.0T	Ø3 x 0.5T
PT1/4	12	Ø13.8 x 2.6T	Ø3 x 0.5T

- Order Code : WJ - 05 - RC - A - B
 - Order Example : WJ - 05 - 1/8 - 100 - 150

WJ-DRC Cooler Screw (Rotating Head)



PRODUCT DRAWING

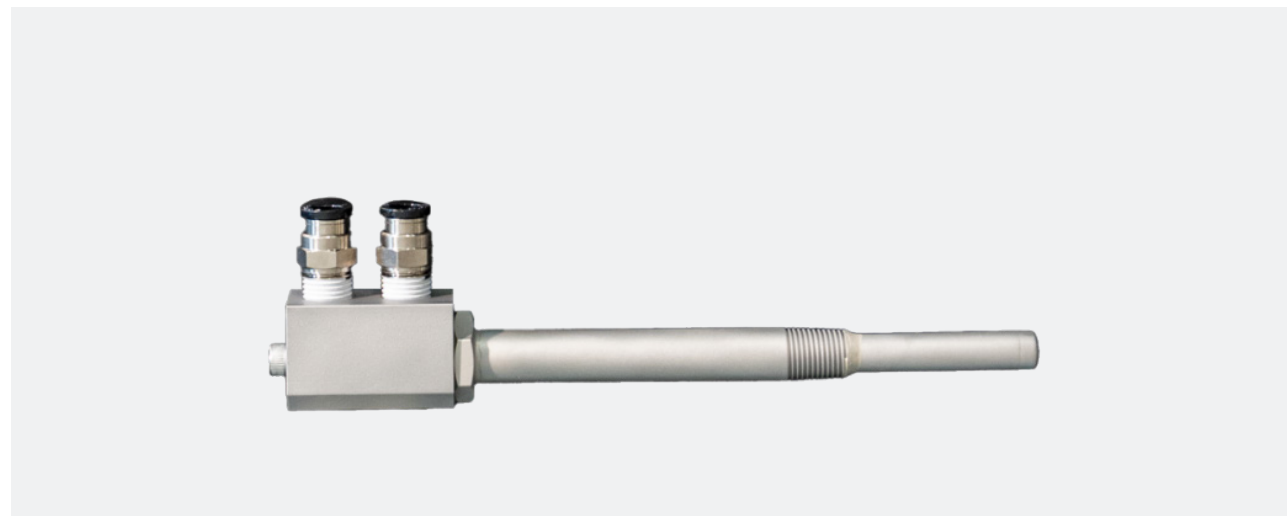


SPECIFICATION

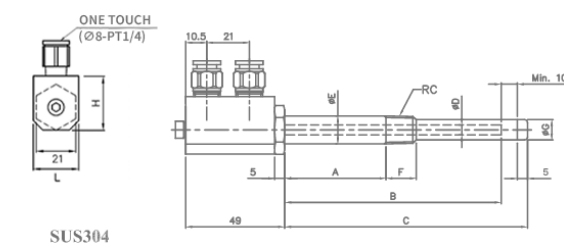
RC	D (OUT PIPE)	C (IN PIPE)
M4	Ø4 x 1.0T	Ø1.2
M6	Ø6 x 1.5T	Ø1.8
M8	Ø8 x 1.5T	Ø2.0
M10	Ø10 x 2.0T	Ø2.3
PT1/16	Ø8 x 1.5T	Ø3.0
PT1/8	Ø10 x 2.0T	Ø3.0

- Order Code : WJ - DRC - RC - A - B - C
 - Order Example : WJ - DRC - PT1/8 - 100 - 150 - 1.8

WJ-06-RC Cooler Screw



PRODUCT DRAWING

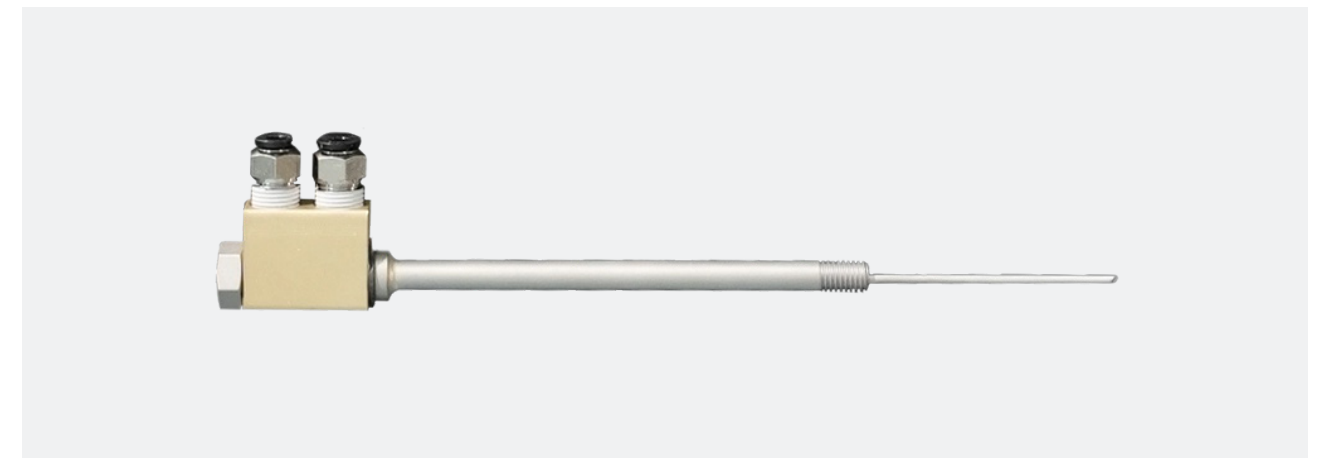


SPECIFICATION

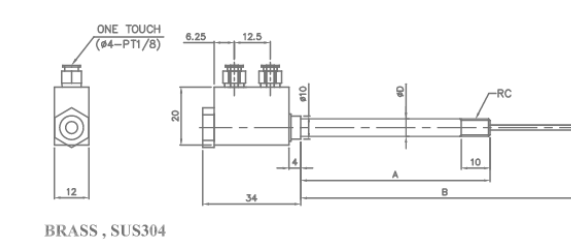
RC	F	E (OUT PIPE)	G (OUT PIPE)	D (IN PIPE)	L	H
PT1/8	10	Ø10 x 2.0T	Ø7 x 1.0T	Ø4 x 0.5T	24	28.5
PT1/4	12	Ø13.8 x 2.6T	Ø10 x 1.5T	Ø5 x 0.5T	24	28.5
PT3/8	15	Ø17.3 x 2.9T	Ø12 x 1.0T	Ø8 x 0.5T	24	28.5
PT1/2	15	Ø21.7 x 2.8T	Ø17.3 x 2.9T	Ø8 x 0.5T	28	35.0

- Order Code : WJ - 06 - RC - A - B - C - D
 - Order Example : WJ - 06 - 3/8 - 100 - 200 - 220 - Ø8

WJ-JM Cooler Screw (Rotating Head)



PRODUCT DRAWING



SPECIFICATION

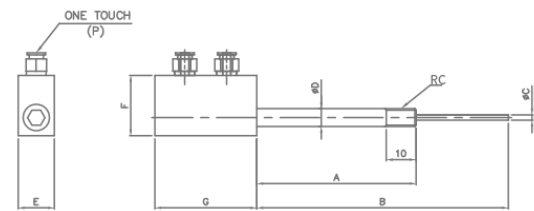
RC	D (OUT PIPE)	C (IN PIPE)
M4	Ø4 x 1.0T	Ø1.2
M6	Ø6 x 1.5T	Ø1.8
M8	Ø8 x 1.5T	Ø2.0
PT1/16	Ø8 x 1.5T	Ø2.3
PT1/8	Ø10 x 2.0T	Ø3.0

- Order Code : WJ - JM - RC - A - B - C
 - Order Example : WJ - JM - PT1/8 - 100 - 150 - 1.2

WJ-JRC Cooler Screw



PRODUCT DRAWING

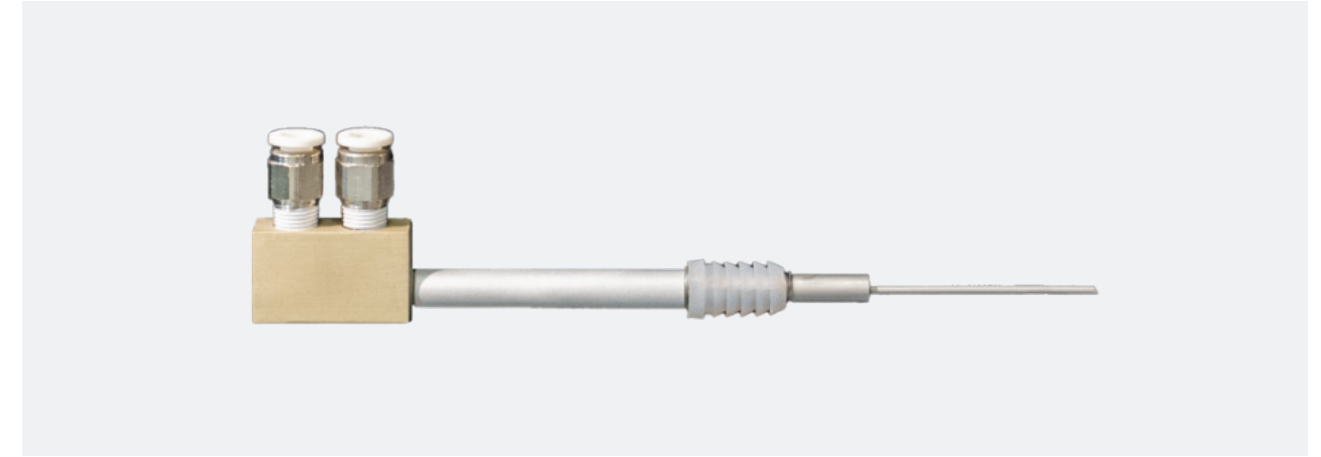


SPECIFICATION

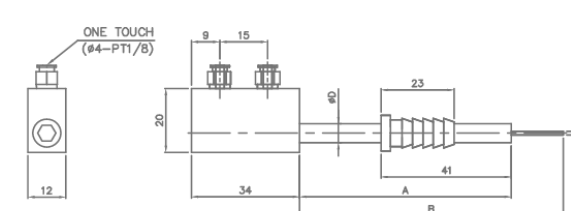
K	RC	D (OUT PIPE)	E	F	G	C (IN PIPE)	P (ONE TOUCH)
1	M6	Ø6 x 1.5T					
2	M8	Ø8 x 1.5T	12	20	34		
3	PT1/16	Ø8 x 1.5T				Ø1.2	
4	M8	Ø8 x 1.5T				Ø1.8	
5	M10	Ø10 x 2.0T	16	23	34	Ø2.0	Ø4-1/8
6	PT1/8	Ø10 x 2.0T				Ø2.3	Ø6-1/8
7	M6	Ø6 x 1.5T				Ø3.0	Ø8-1/8
8	M8	Ø8 x 1.5T	12	20	40	Ø4.0	
9	PT1/8	Ø8 x 1.5T					
10	M8	Ø8 x 1.5T					
11	M10	Ø10 x 2.0T	16	23	40		
12	PT1/8	Ø10 x 2.0T					

- Order Code : WJ - JRC - K - A - B - C - P
 - Order Example : WJ - JRC - 1 - 100 - 150 - 1.2 - Ø4

WJ-PA Cooler Packing



PRODUCT DRAWING



SPECIFICATION

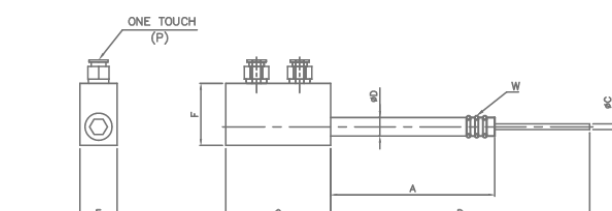
D (OUT PIPE)	C (IN PIPE)
Ø6 x 1.5T	Ø1.2 / Ø1.8 / Ø2.0

- Order Code : WJ - PA - A - B - C
 - Order Example : WJ - PA - 100 - 150 - 1.8

WJ-JRO Cooler O-Ring



PRODUCT DRAWING

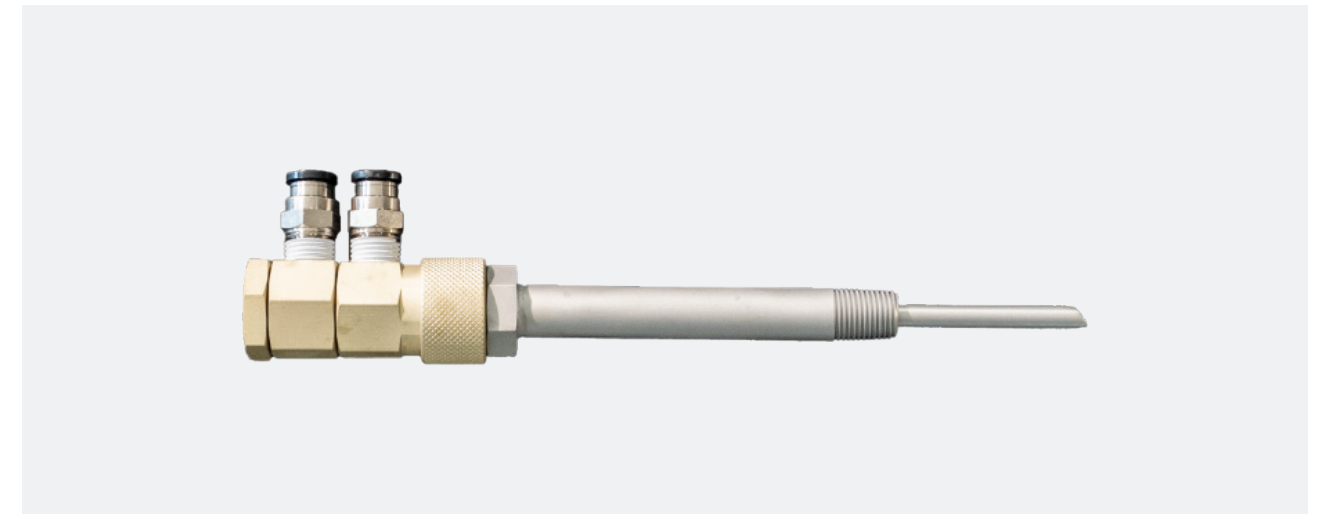


SPECIFICATION

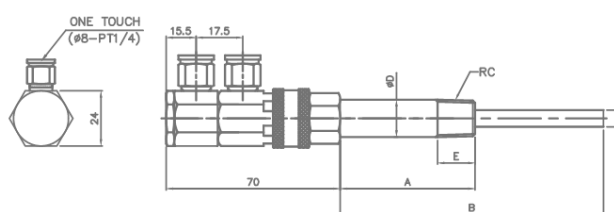
K	D (OUT PIPE)	E	F	G	W (O-RING)	C (IN PIPE)	P (ONE TOUCH)
1	Ø6 x 1.5T				S4	Ø1.2	
2	Ø8 x 1.5T	12	20	34	S6	Ø1.8	
3	Ø8 x 1.5T	16	23	34	S6	Ø2.0	Ø4-1/8
4	Ø10.5 x 2.0T				P8	Ø2.3	Ø6-1/8
5	Ø6 x 1.5T	12	20	40	S4	Ø3.0	Ø8-1/8
6	Ø8 x 1.5T				S6		
7	Ø8 x 1.5T	16	23	40	S6	Ø4.0	
8	Ø10.5 x 2.0T				P8		

- Order Code : WJ - JRO - K - A - B - C - P
 - Order Example : WJ - JRO - 1 - 100 - 150 - 1.2 - Ø4

WJ-QC-01 Cooler Screw (Quick Coupling)



PRODUCT DRAWING

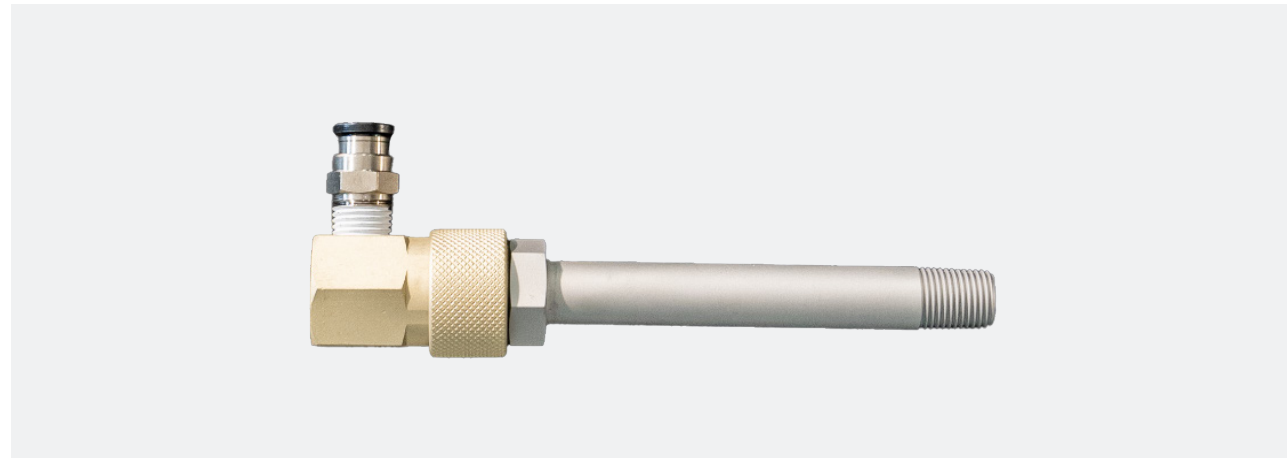


SPECIFICATION

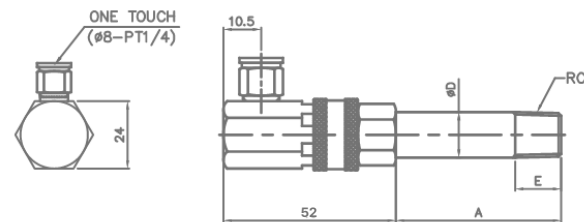
RC	E	D (OUT PIPE)	C (IN PIPE)
PT1/8	10	Ø10.0 x 2.0T	Ø4 x 0.5T
PT1/4	12	Ø13.8 x 2.6T	Ø6 x 0.5T
PT3/8	15	Ø17.3 x 2.9T	Ø8 x 0.5T

- Order Code : WJ - QC - 01 - RC - A - B
 - Order Example : WJ - QC - 01 - 3/8 - 100 - 150

WJ-QC-02 Cooler Screw (Quick Coupling)



PRODUCT DRAWING

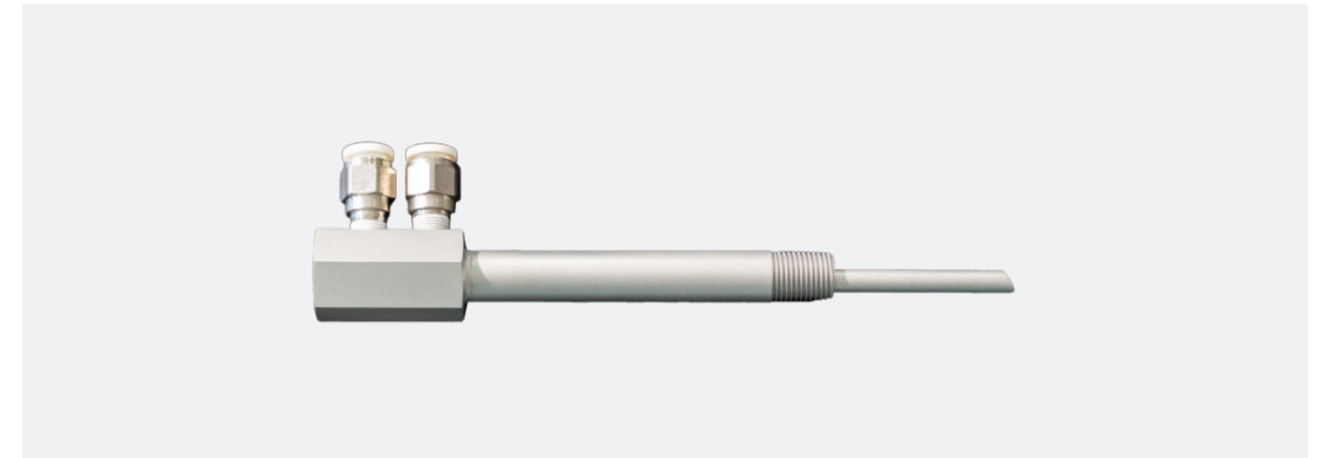


SPECIFICATION

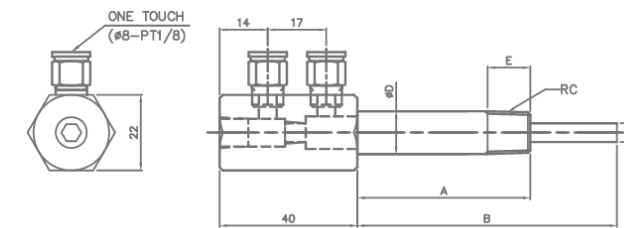
RC	E	D (OUT PIPE)
PT1/8	10	Ø10.0 x 2.0T
PT1/4	12	Ø13.8 x 2.6T
PT3/8	15	Ø17.3 x 2.9T

- Order Code : WJ - QC - 02 - RC - A
 - Order Example : WJ - QC - 02 - 3/8 - 100

WJ-RC-02 Cooler Screw



PRODUCT DRAWING

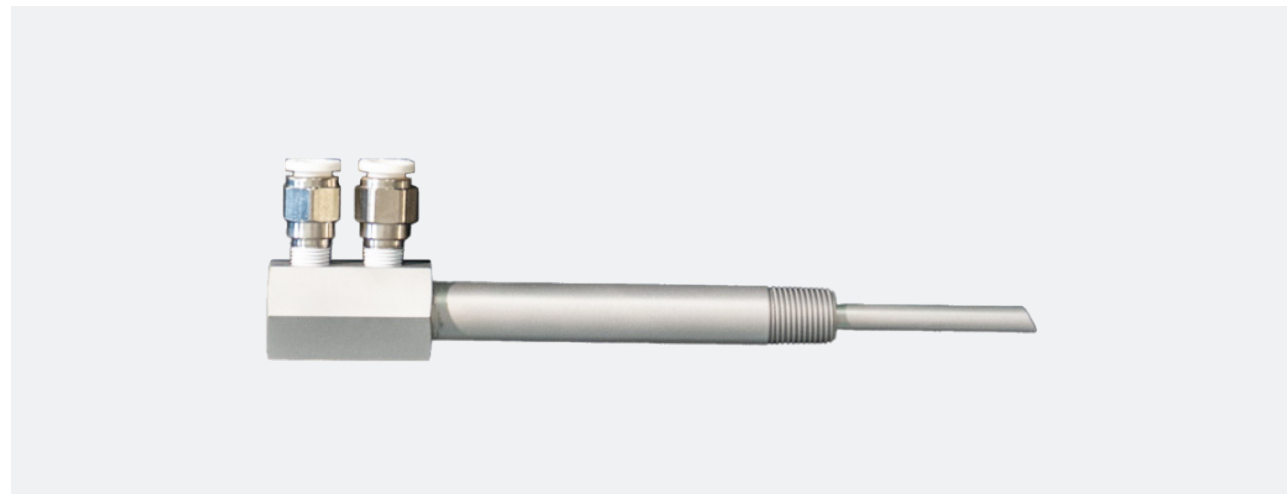


SPECIFICATION

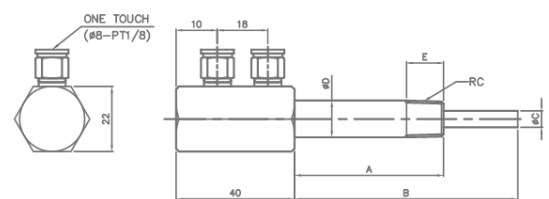
RC	E	D (OUT PIPE)	C (IN PIPE)
PT1/8	10	Ø10.0 x 2.0T	Ø4 x 0.5T
PT1/4	12	Ø13.8 x 2.6T	Ø6 x 0.5T
PT3/8	15	Ø17.3 x 2.9T	Ø8 x 0.5T

- Order Code : WJ - RC - 02 - RC - A - B
 - Order Example : WJ - RC - 02 - 3/8 - 100 - 150

WJ-RC-01 Cooler Screw IN PIPE BRAZING TYPE



PRODUCT DRAWING



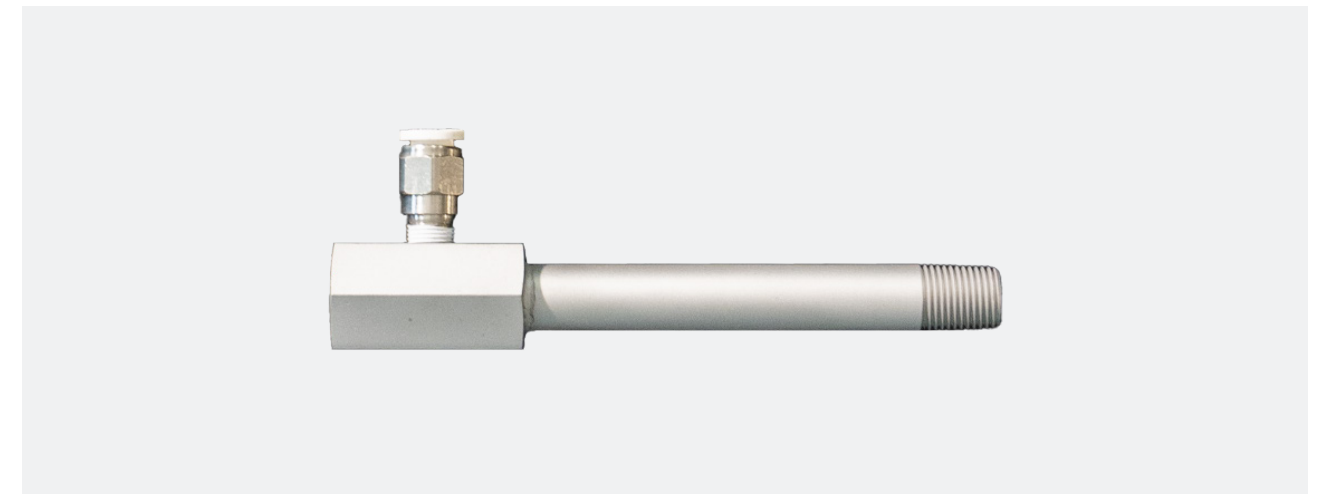
SPECIFICATION

RC	E	D (OUT PIPE)	C (IN PIPE)
PT1/8	10	Ø10.0 x 2.0T	Ø4 x 0.5T
PT1/4	12	Ø13.8 x 2.6T	Ø6 x 0.5T
PT3/8	15	Ø17.3 x 2.9T	Ø5 x 0.5T

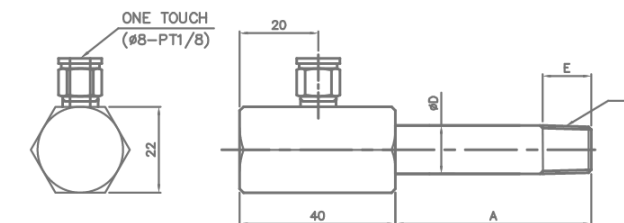
- Order Code : WJ - RC - 01 - RC - A - B
 - Order Example : WJ - RC - 01 - 3/8 - 100 - 150

IN PIPE BRAZING TYPE

WJ-RC-03 Cooler Screw



PRODUCT DRAWING

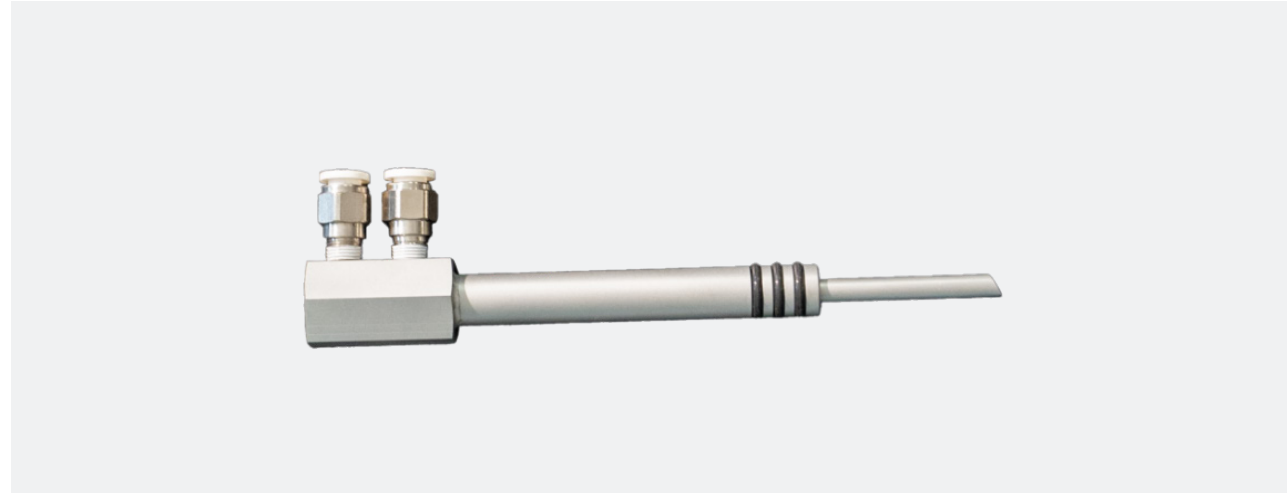


SPECIFICATION

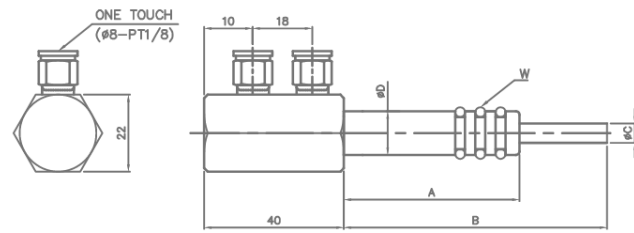
RC	E	D (OUT PIPE)
PT1/8	10	Ø10.0 x 2.0T
PT1/4	12	Ø13.8 x 2.6T
PT3/8	15	Ø17.3 x 2.9T

- Order Code : WJ - RC - 03 - RC - A
 - Order Example : WJ - RC - 03 - 3/8 - 100

WJ-RO-01 Cooler O-Ring IN PIPE BRAZING TYPE



PRODUCT DRAWING

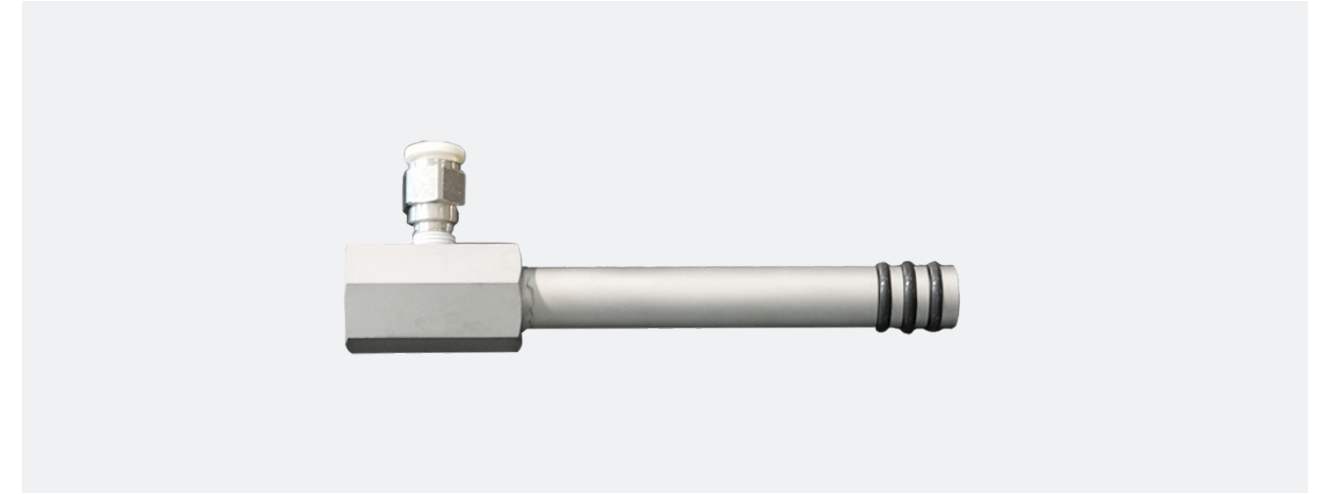


SPECIFICATION

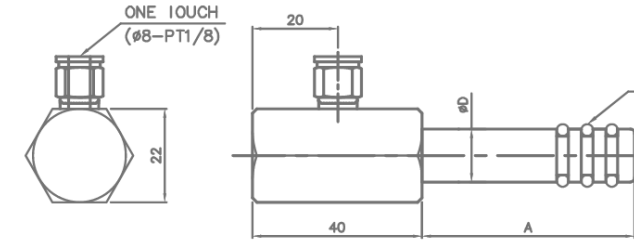
K	D (OUT PIPE)	C (IN PIPE)	W (O-RING)
1	Ø10.5 x 2.0T	Ø4 x 0.5T	P8
2	Ø13.8 x 2.6T	Ø6 x 0.5T	P11
3	Ø17.3 x 2.9T	Ø8 x 0.5T	P14

- Order Code : WJ - RO - 01 - K - A - B
 - Order Example : WJ - RO - 01 - 1 - 100 - 150
 IN PIPE BRAZING TYPE

WJ-RO-03 Cooler O-Ring



PRODUCT DRAWING

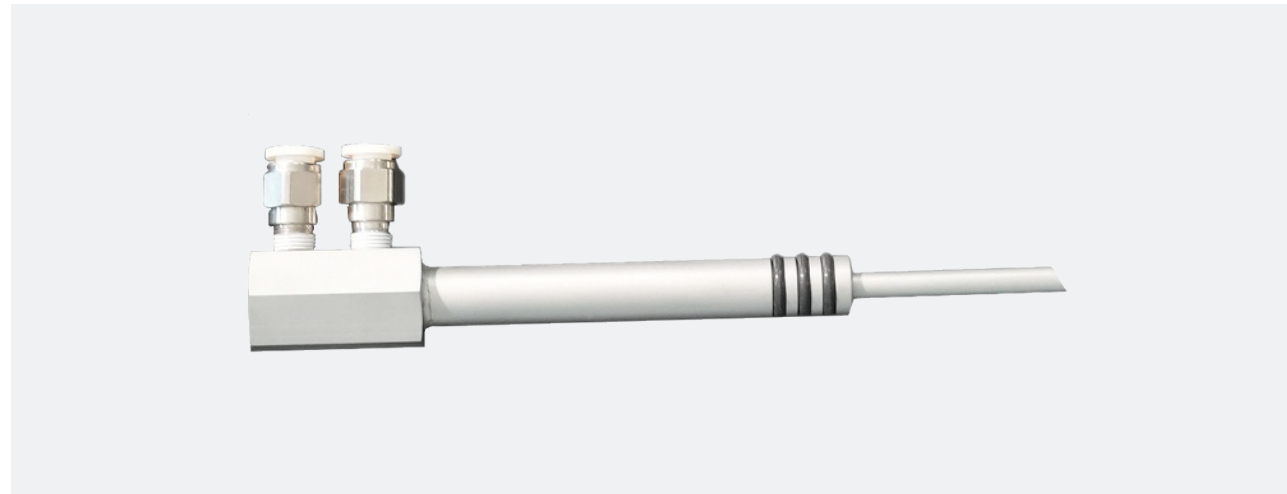


SPECIFICATION

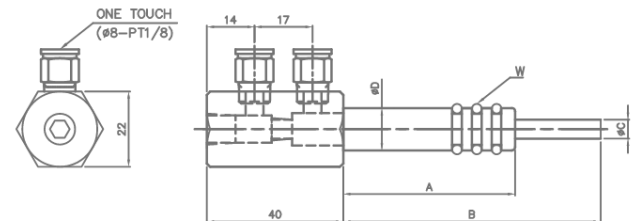
K	D (OUT PIPE)	W (O-RING)
1	Ø10.5 x 2.0T	P8
2	Ø13.8 x 2.6T	P11
3	Ø17.3 x 2.9T	P14

- Order Code : WJ - RO - 03 - K - A
 - Order Example : WJ - RO - 03 - 1 - 100

WJ-RO-02 Cooler O-Ring



PRODUCT DRAWING

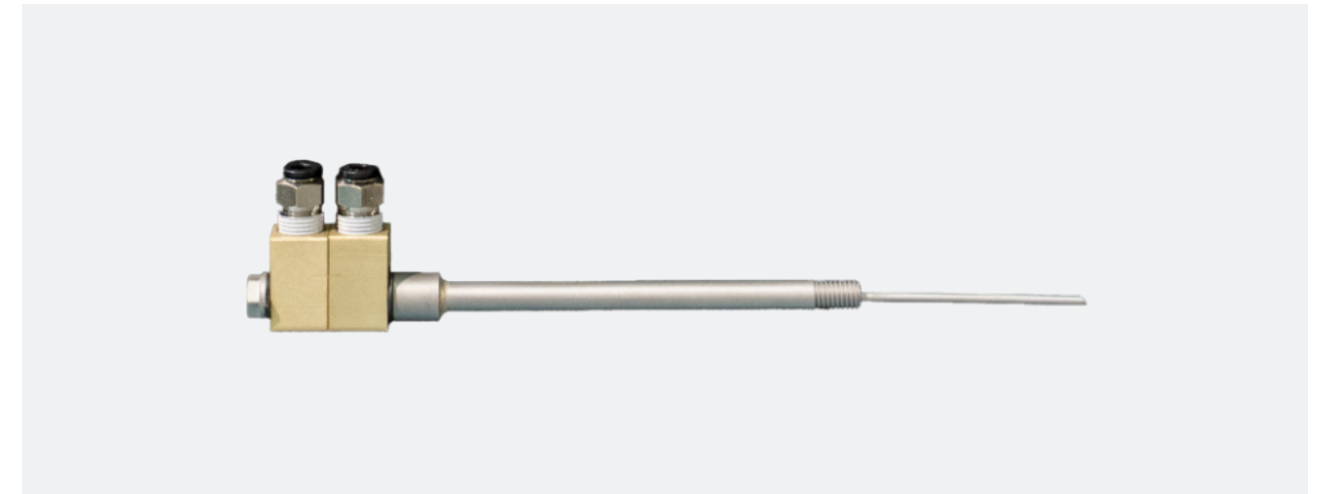


SPECIFICATION

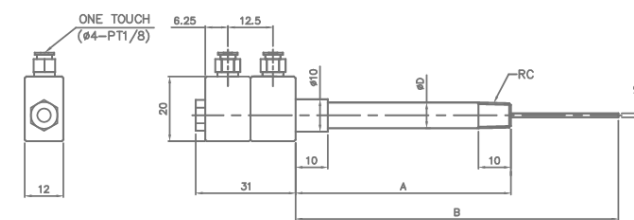
K	D (OUT PIPE)	C (IN PIPE)	W (O-RING)
1	Ø10.5 x 2.0T	Ø4 x 0.5T	P8
2	Ø13.8 x 2.6T	Ø6 x 0.5T	P11
3	Ø17.3 x 2.9T	Ø8 x 0.5T	P14

- Order Code : WJ - RO - 02 - K - A - B
 - Order Example : WJ - RO - 02 - 1 - 100 - 150

WJ-TDRC Cooler Screw (Rotating Head)



PRODUCT DRAWING



SPECIFICATION

RC	D (OUT PIPE)	C (IN PIPE)
M4	Ø4 x 1.0T	Ø1.2
M6	Ø6 x 1.5T	Ø1.8
M8	Ø8 x 1.5T	Ø2.0
PT1/16	Ø8 x 1.5T	Ø2.3
PT1/8	Ø10 x 2.0T	Ø3.0

- Order Code : WJ - TDRC - RC - A - B - C
 - Order Example : WJ - TDRC - M4 - 100 - 150 - 1.2

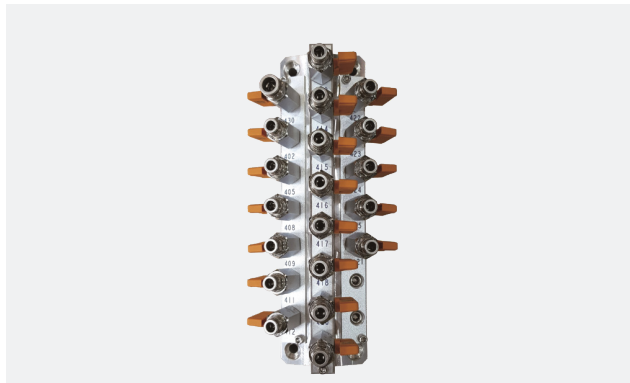


Die-Casting Parts

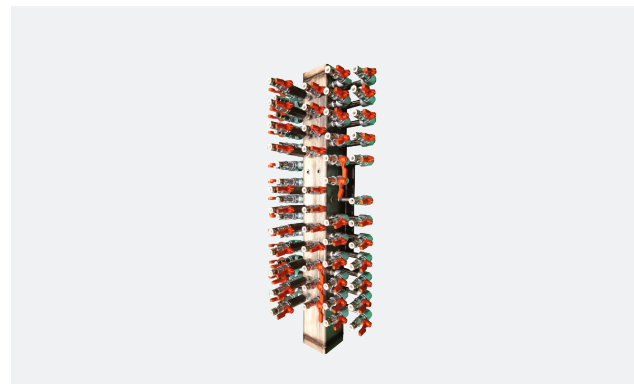
Manifold #1 Manifold



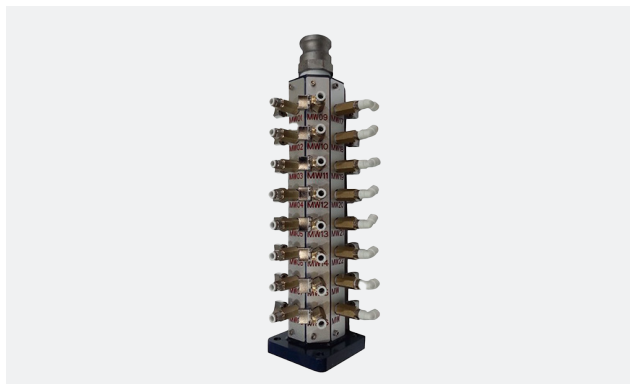
Manifold #2 Manifold



Manifold #3 Manifold



Manifold #4 Manifold



Core Pin #1 Core Pin



Core Pin #2 Core Pin



Core Pin #3 Core Pin



Insert #1 Insert



Insert #2 Insert



Insert #3 Insert



Insert #4 Insert



Plunger Sleeve #1 Sleeve



Plunger Sleeve #2 Plunger Sleeve



Plunger Sleeve #3 Sleeve



G/F Valve #1 G/F Valve



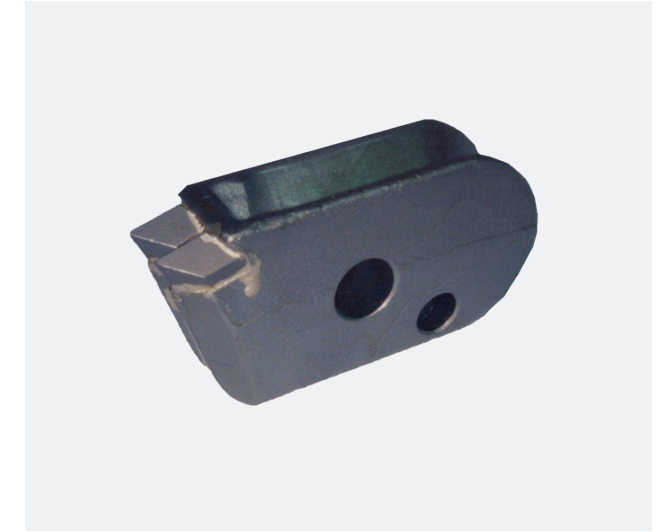


Special Brazing

Special Brazing #5 Special Brazing



Special Brazing #6 Special Brazing



Special Brazing #1 Special Brazing



Special Brazing #2 Special Brazing



Special Brazing #7 Special Brazing



Special Brazing #8 Special Brazing



Special Brazing #3 Special Brazing



Special Brazing #4 Special Brazing



Special Brazing #9 Special Brazing



Special Brazing #10 Special Brazing

